

Parts Catalog

Apex 47 Series

Model Gasoline & LPG



Table of Contents

| | |
|---|----|
| Side brush R.H. (97085690) | 4 |
| Front wheel drive (97086235) | 8 |
| Travelling mechanism (Part 1) (97077168-1) | 12 |
| Travelling mechanism (Part 2) - Accelerator (97077168-2) | 14 |
| Steering (until aug. 2007) (97077127-1a 6502-33) | 18 |
| Steering (from sept. 2007) (97077127-1b 6502-33) | 20 |
| Manipulation for side brush and sweeping roller (97077127-2) | 24 |
| Seat - Covering (Part 1) (97079156-1) | 26 |
| Seat - Covering (Part 2) (97079156-2) | 28 |
| Engine (97076806-1) | 32 |
| Exhaust system (97076806-2) | 36 |
| Drive belt plant (97076806-3 A) | 38 |
| Electrical equipment - Frame (97092043) | 42 |
| Group of main sweeper roller (97077192-1) | 58 |
| Manipulation for brush apron - Lifter for sweeping (97077192-2) | 62 |
| Broom wear compensation (97079263) | 66 |
| Dust extraction (97086011) | 68 |
| Dirt hopper - Dirt hopper lifter (97076822) | 78 |
| Rear wheels (air) - Brake (97077200) | 80 |
| Labels (97090468) | 86 |

This manual covers all standard Apex 47 models:

Model No.

The machine will provide excellent service. However, the best results will be obtained if:

- The machine is operated with reasonable care.
- The machine is maintained regularly per the maintenance schedule in the instruction manual provided.
- The machine is maintained with PowerBoss OEM supplied or equivalent parts.

All right side and left side references to the machine are determined by facing the direction of forward travel. Parts may be ordered by phone or mail from any PowerBoss parts and service center. Before ordering parts or supplies be sure to have your machine model number and serial number handy.

Fill out the data block below for future reference.

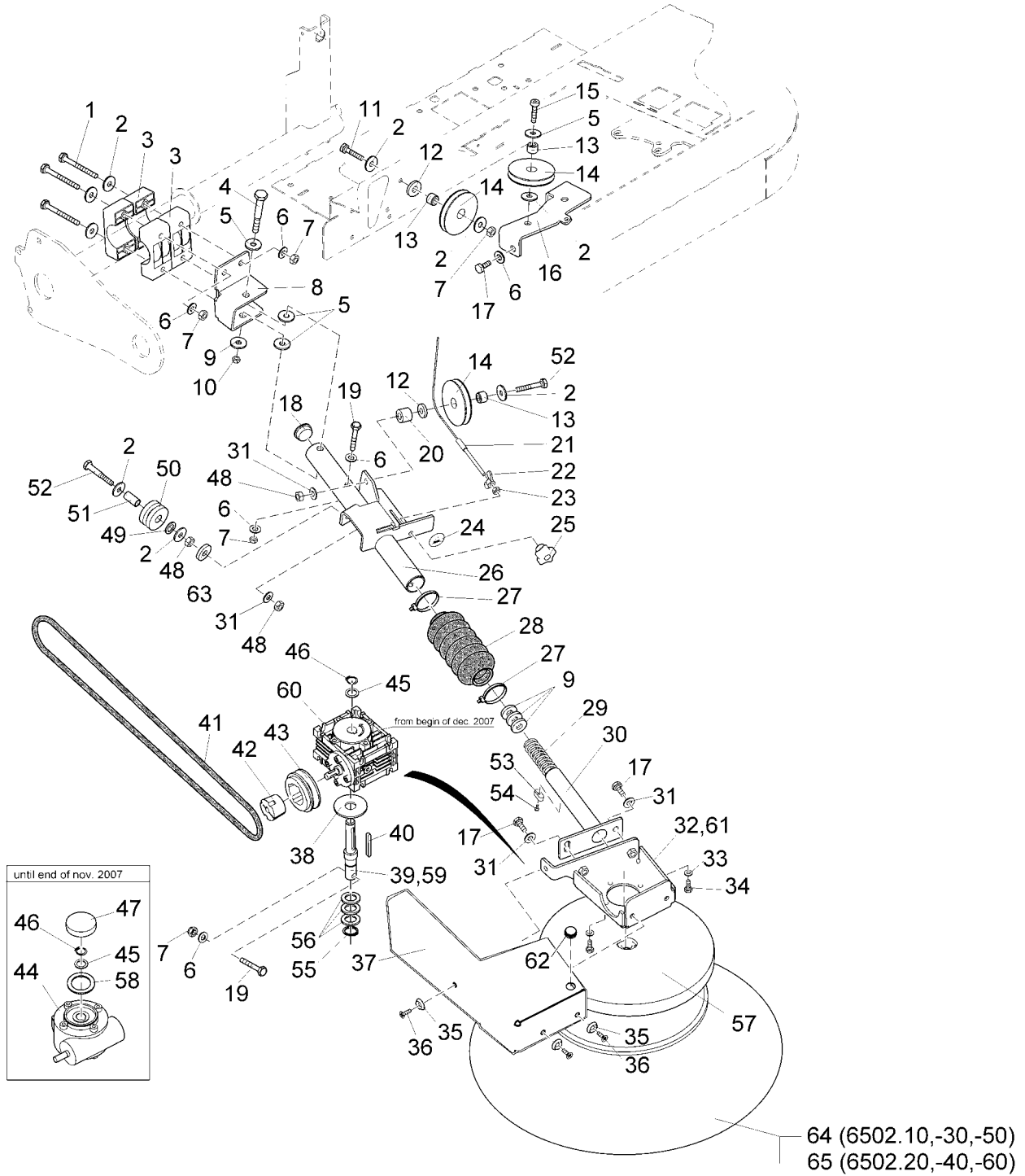
| | |
|--|---------|
| MACHINE DATA Fill Out At Installation | |
| Model: | Apex 47 |
| Serial Number: | _____ |
| Sales Rep or Dealer | _____ |
| Date of Install: | _____ |
| Manual p/n: | AP47G |

All information contained in this manual is current at the time of printing However,PowerBoss Reserves the right to make changes at any time without notice.

© 2011, Powerboss, Inc., Printed in USA

All rights reserved. This manual may not be copied or reproduced in any form, without the written permission of PowerBoss,Inc.

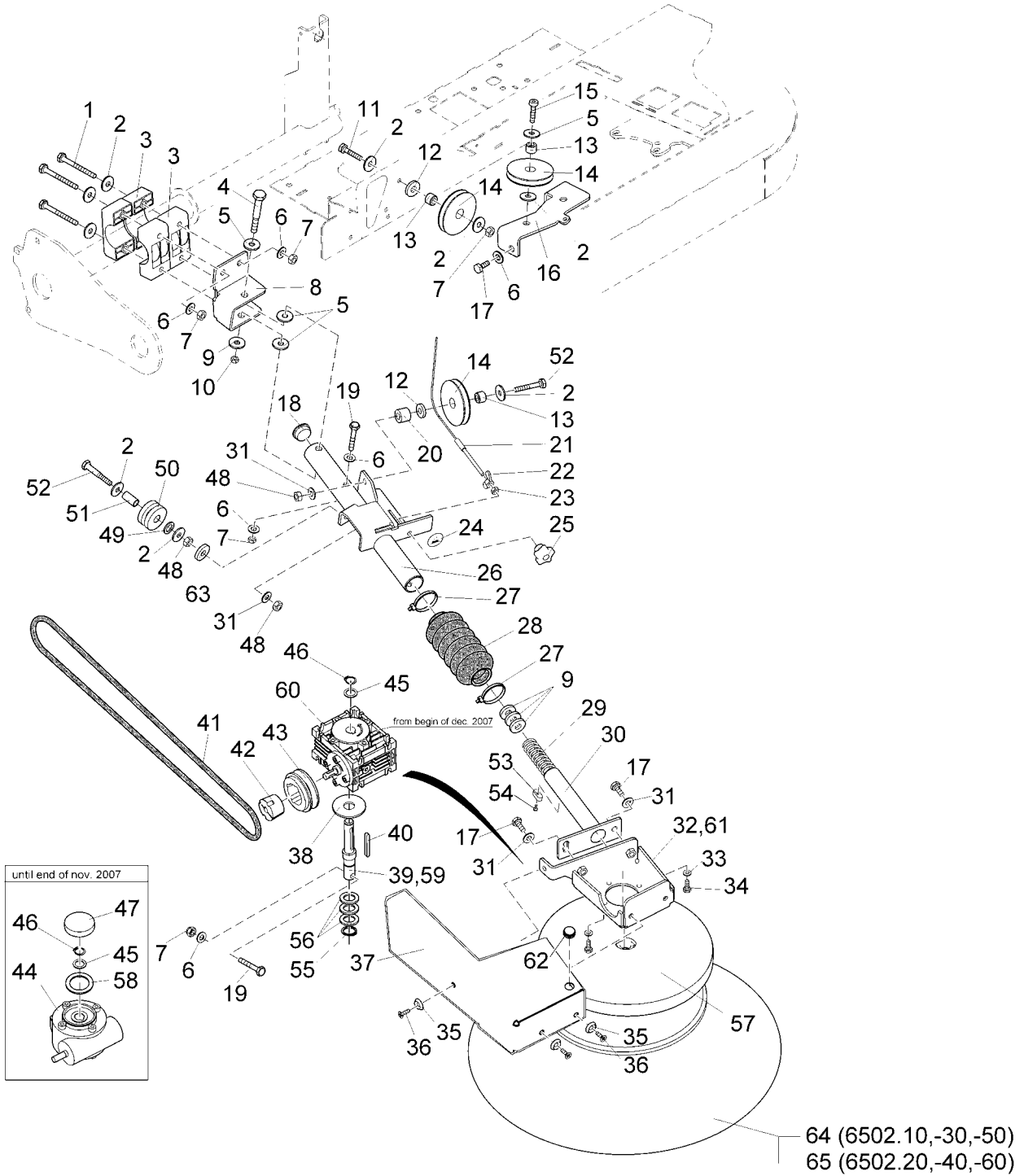
Side brush R.H. (97085690)



Side brush R.H. (97085690)

| Item | Part number | Description | Qty. | Remarks |
|------|-------------|-----------------------------|------|------------------------|
| 1 | 00557600 | Hex.bolt | 4 | |
| 2 | 00042900 | Washer | 11 | |
| 3 | 01130610 | Bearing | 4 | |
| 4 | 00041810 | Hex.bolt | 1 | |
| 5 | 00046520 | Washer | 3 | |
| 6 | 00053750 | Washer | 9 | |
| 7 | 00051510 | Hexagon nut | 7 | |
| 8 | 01130620 | Retainer R.H. | 1 | |
| 9 | 00855380 | Washer | 4 | |
| 10 | 00132880 | Hexagon nut | 1 | |
| 11 | 00054690 | Hexagon screw | 1 | |
| 12 | 00695300 | Washer | 2 | |
| 13 | 00974400 | Bushing | 3 | |
| 14 | 00521270 | Roller | 3 | |
| 15 | 00537390 | Cylinder head screw | 1 | |
| 16 | 01130630 | Holder | 1 | |
| 17 | 00553690 | Hex.bolt | 2 | |
| 18 | 00152850 | Drain plug | 1 | |
| 19 | 00041600 | Hex.bolt | 2 | |
| 20 | 00029170 | Bushing | 1 | |
| 21 | 01130640 | Rope | 1 | |
| 22 | 00054020 | Wing nut | 1 | |
| 23 | 00053330 | Hexagon nut | 1 | |
| 24 | 01130650 | Decal SIDE BROOM ADJUSTMENT | 1 | |
| 25 | 00853730 | Star handle | 1 | |
| 26 | 01130660 | Side brush | 1 | |
| 27 | 00967760 | Cable tie | 2 | |
| 28 | 01130670 | Bellows | 1 | |
| 29 | 00701250 | Cyl.compression spring | 1 | |
| 30 | 01130680 | Holder | 1 | |
| 31 | 00740090 | Detent edged washer | 4 | |
| 32 | 01132360 | Gear support R.H. | 1 | until end of nov. 2007 |
| 33 | 00740280 | Washer | 4 | |
| 34 | 00104500 | Hexagon screw | 4 | |
| 35 | 00157690 | Annular plate | 3 | |
| 36 | 00154680 | Countersunk screw | 3 | |

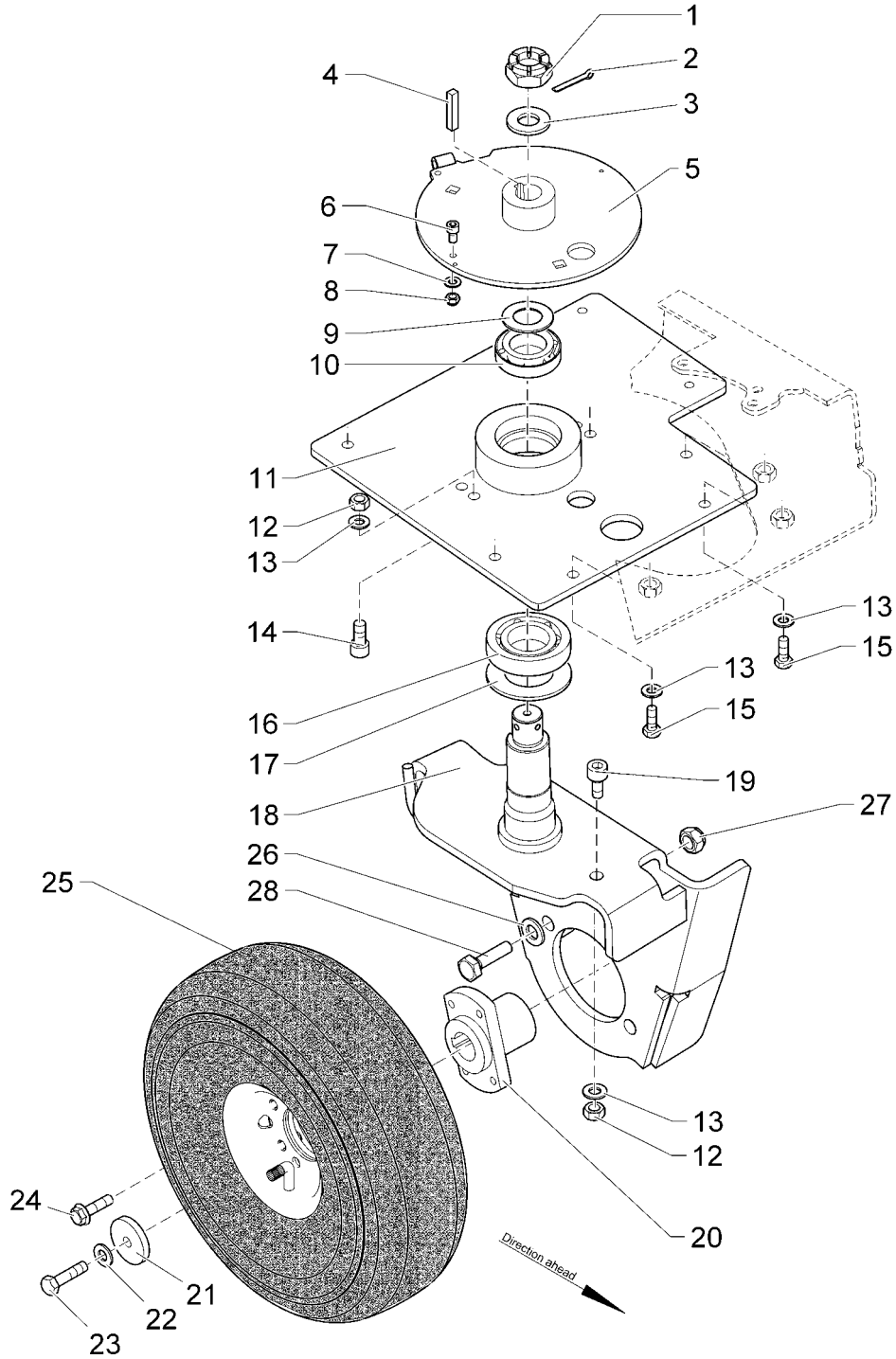
Side brush R.H. (97085690)



Side brush R.H. (97085690)

| Item | Part number | Description | Qty. | Remarks |
|------|-------------|----------------------|------|-------------------------|
| 37 | 01132370 | covering | 1 | |
| 38 | 00871350 | Washer | 1 | |
| 39 | 01132790 | Drive shaft | 1 | until end of nov. 2007 |
| 40 | 00072940 | Feather key | 1 | |
| 41 | 01130710 | Narrow drive belt | 1 | |
| 42 | 01130720 | Bush | 1 | |
| 43 | 01130730 | Belt pulley | 1 | |
| 44 | 01130740 | Gear | 1 | until end of nov. 2007 |
| 45 | 00020610 | Supporting ring | 1 | |
| 46 | 00022440 | Retaining ring | 1 | |
| 47 | 01131530 | Cap | 1 | until end of nov. 2007 |
| 48 | 00053350 | Hexagon nut | 3 | |
| 49 | 00156720 | Washer | 1 | |
| 50 | 00740930 | Roller | 1 | |
| 51 | 00855240 | Bushing | 1 | |
| 52 | 00138180 | Hex.bolt | 2 | |
| 53 | 01132380 | fitted key | 1 | |
| 54 | 00695680 | Fillister-head screw | 1 | |
| 55 | 00022230 | Retaining ring | 1 | |
| 56 | 00041590 | Supporting ring | 1 | |
| 57 | 01132800 | Deflector grey | 1 | |
| 58 | 00155120 | Supporting ring | 1 | until end of nov. 2007 |
| 59 | 01135630 | Drive shaft | 1 | from begin of dec. 2007 |
| 60 | 01135550 | Worm gear | 1 | from begin of dec. 2007 |
| 61 | 01135580 | Gear holder R.H. | 1 | from begin of dec. 2007 |
| 62 | 00740360 | Cable sleeve | 1 | |
| 63 | 00047990 | Disk wheel | 1 | |
| 64 | 99651300 | Spare side broom PA | 1 | for 6502.10,-30,-50 |
| 65 | 99651400 | Spare side broom PES | 1 | for 6502.20,-40,-60 |

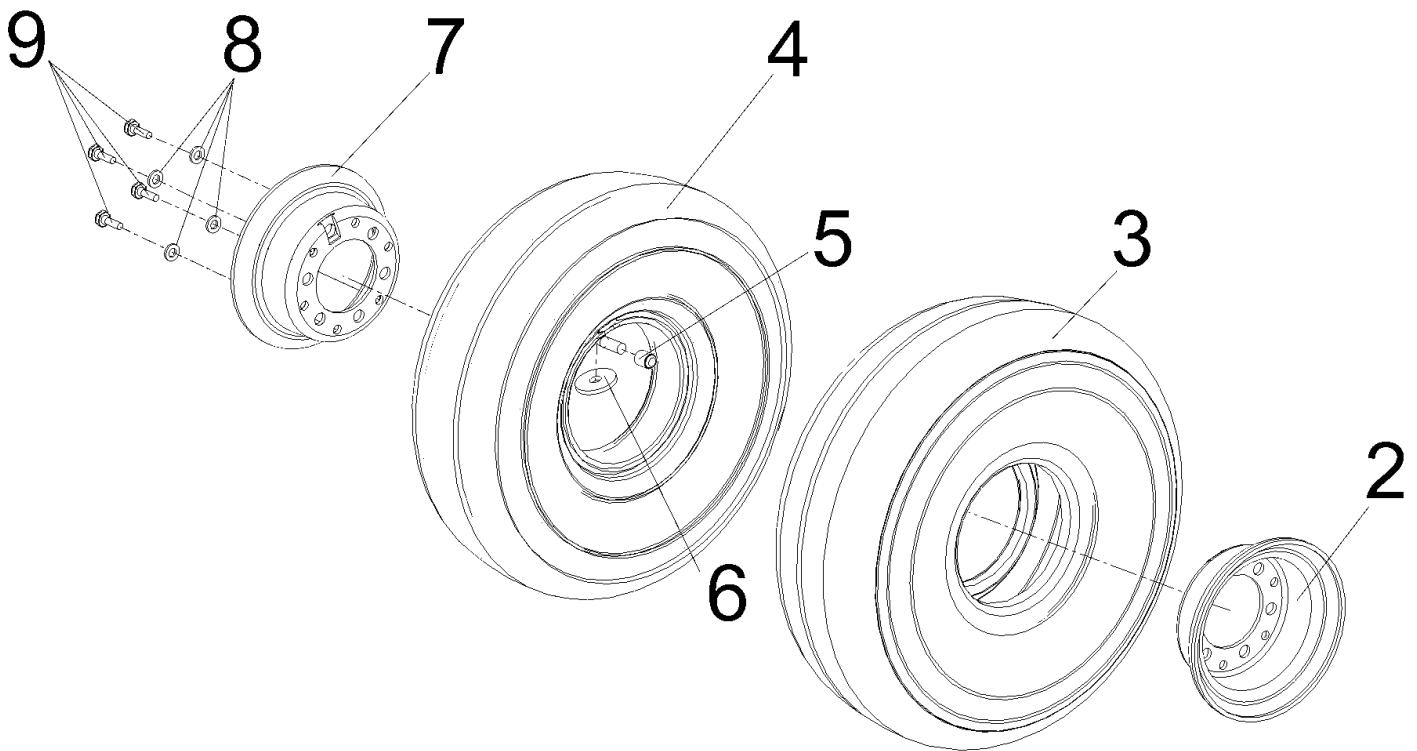
Front wheel drive (97086235)



Front wheel drive (97086235)

| Item | Part number | Description | Qty. | Remarks |
|------|-----------------|---|----------------|---------|
| 1 | 00048400 | Slotted nut | 1 | |
| 2 | 00027880 | Cotter pin | 1 | |
| 3 | 00743290 | Washer | 1 | |
| 4 | 01132770 | Parallel key | 1 | |
| 5 | 01132760 | Guidance disk, cpl. | 1 | |
| 6 | 00136910 | Cylinder head screw | 1 | |
| 7 | 00053730 | Washer | 1 | |
| 8 | 00051520 | Hexagon nut | 1 | |
| 9 | 01130030 | Nilos ring | 1 | |
| 10 | 00048410 | Cone roller bearing | 1 | |
| 11 | 03002980 | Front wheel bearing plate | 1 | |
| 12 | 00053360 | Hexagon nut | 3 | |
| 13 | 00870090 | Detent edged washer | 9 | |
| 14 | 00135030 | Socket head screw | 2 | |
| 15 | 00053310 | Hexagon screw | 6 | |
| 16 | 00137930 | Cone roller bearing | 1 | |
| 17 | 00746270 | Ring | 1 | |
| 18 | 01133800 | wheelmount | 1 | |
| 19 | 00108590 | Socket head screw | 1 | |
| 20 | 01131720 | Hub | 1 | |
| 21 | 00133260 | Washer | 1 | |
| 22 | 00740310 | Washer | 1 | |
| 23 | 00133700 | Hexagon screw | 1 | |
| 24 | 01131730 | Hexagon screw | 4 | |
| 25 | 01133070 | Front wheel (air) (Available: No.: 01133070) | Page 10 | |
| 26 | 00053770 | Washer | 2 | |
| 27 | 00051490 | Hexagon nut | 2 | |
| 28 | 00053220 | Hex.bolt | 2 | |

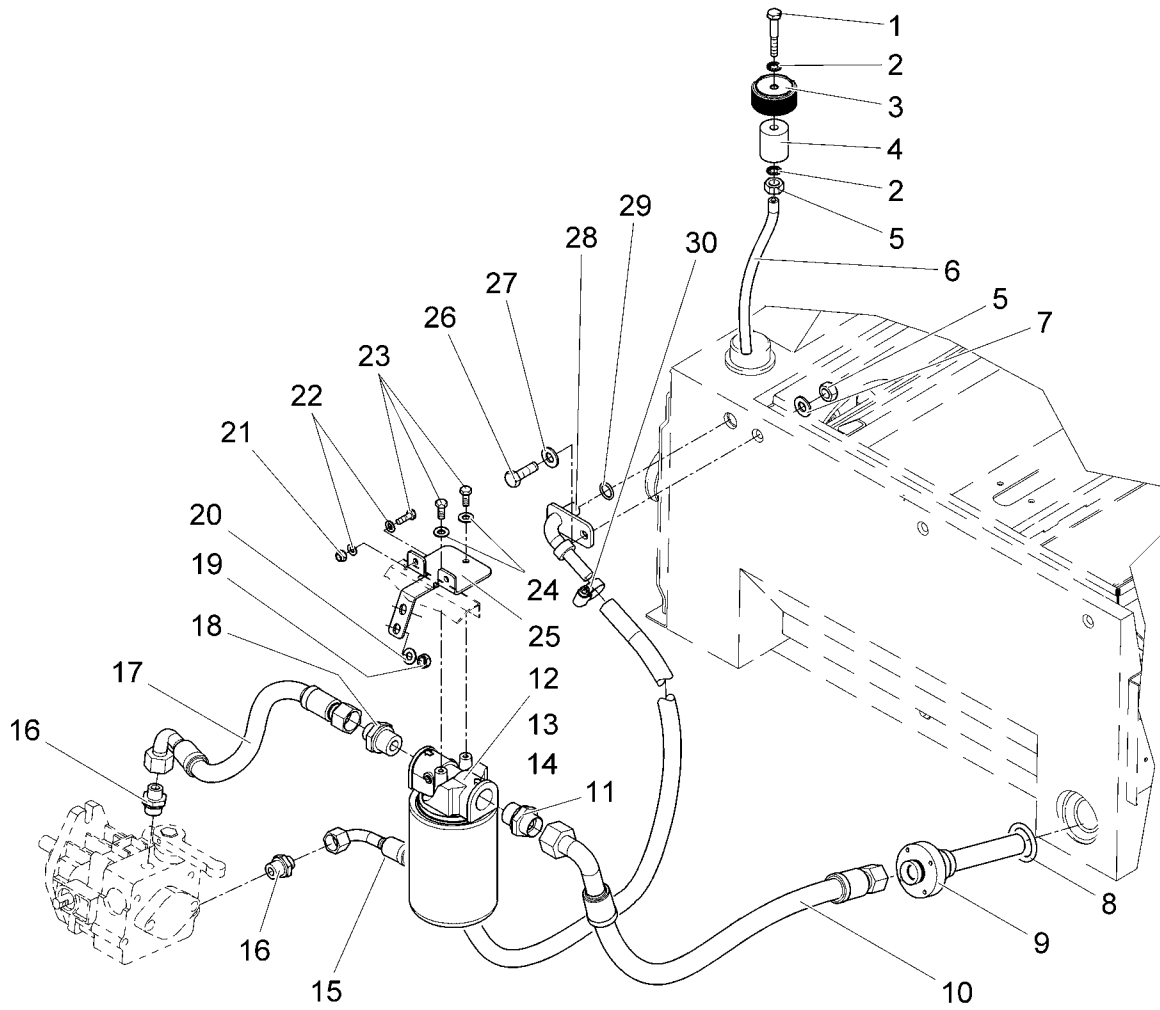
Front wheel (air) (Available: No.: 01133070) (01133070)



Front wheel (air) (Available: No.: 01133070) (01133070)

| Item | Part number | Description | Qty. | Remarks |
|-------------|--------------------|--------------------|-------------|----------------|
| 2 | 01133010 | Rim half | 1 | |
| 3 | 01133040 | Tyre | 1 | |
| 4 | 01133050 | Tube | 1 | |
| 5 | 01133060 | Valve cap | 1 | |
| 6 | 00106050 | Rubber washer | 1 | |
| 7 | 01133020 | Rim half | 1 | |
| 8 | 00053730 | Washer | 4 | |
| 9 | 00053010 | Hex.bolt | 4 | |

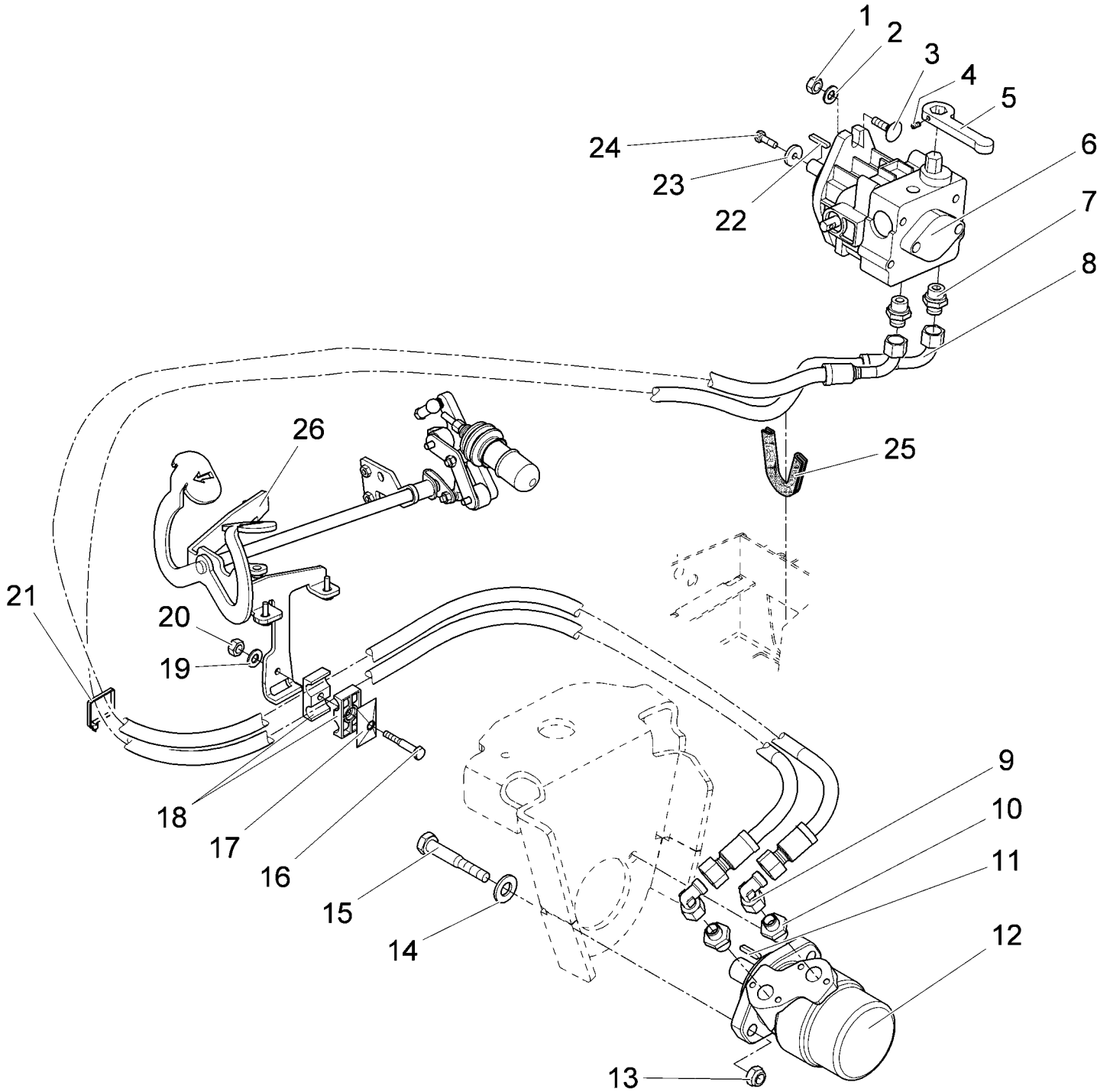
Travelling mechanism (Part 1) (97077168-1)



Travelling mechanism (Part 1) (97077168-1)

| Item | Part number | Description | Qty. | Remarks |
|------|-------------|---------------------------|-------|---------|
| 1 | 01073550 | Hex.bolt | 1 | |
| 2 | 00959240 | Lock washer | 2 | |
| 3 | 01131910 | Cover | 1 | |
| 4 | 01131920 | Holder | 1 | |
| 5 | 00053350 | Hexagon nut | 2 | |
| 6 | 01061590 | Hose | 210mm | |
| 7 | 00740090 | Detent edged washer | 1 | |
| 8 | 01132010 | O-ring, black | 1 | |
| 9 | 01132020 | Pipe, cpl. | 1 | |
| 10 | 01133540 | Hose | 1 | |
| 11 | 01133550 | Straight screw connection | 1 | |
| 12 | 01133510 | suction filter | 1 | |
| 13 | 01133520 | filter cartridge | 1 | |
| 15 | 01133560 | Hose | 1 | |
| 16 | 01133570 | Straight screw connection | 2 | |
| 17 | 01133580 | Hose | 1 | |
| 18 | 01131950 | Straight screw connection | 1 | |
| 19 | 00051510 | Hexagon nut | 2 | |
| 20 | 00053750 | Washer | 2 | |
| 21 | 00051520 | Hexagon nut | 2 | |
| 22 | 00053730 | Washer | 4 | |
| 23 | 00053010 | Hex.bolt | 4 | |
| 24 | 00740280 | Washer | 2 | |
| 25 | 01133590 | Plate | 1 | |
| 26 | 00133700 | Hexagon screw | 1 | |
| 27 | 00053750 | Washer | 1 | |
| 28 | 01131930 | Return pipe | 1 | |
| 29 | 00057720 | O-ring oil resistant | 1 | |
| 30 | 01015350 | Hose clamp | 1 | |

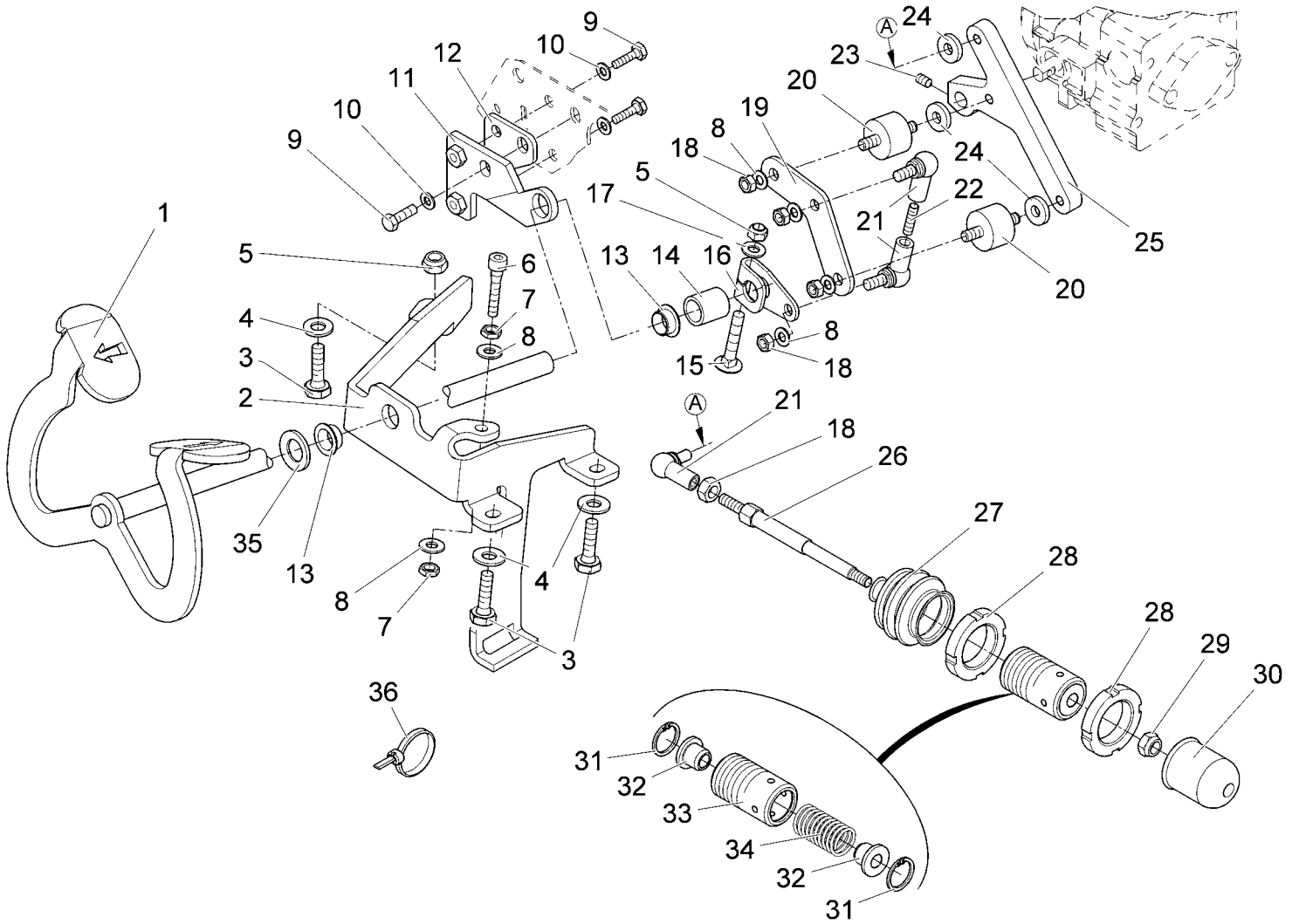
Travelling mechanism (Part 2) - Accelerator (97077168-2)



Travelling mechanism (Part 2) - Accelerator (97077168-2)

| Item | Part number | Description | Qty. | Remarks |
|------|-----------------|---------------------------|-------------|-----------|
| 1 | 01050160 | Hex. Nut | 2 | |
| 2 | 00740290 | Detent edged washer | 2 | |
| 3 | 01130020 | Cup head square neck bolt | 2 | |
| 4 | 01006760 | Threaded pin | 1 | |
| 5 | 01133600 | lever | 1 | |
| 6 | 01133610 | hydraulic pump | 1 | |
| 7 | 01133620 | Straight screw connection | 2 | |
| 8 | 01132100 | Hose | 2 | |
| 9 | 00109150 | Screw connection-W | 2 | |
| 10 | 01132180 | Straight screw connection | 2 | |
| 11 | 00134170 | Feather key | 1 | |
| 12 | 01132170 | Hydraulic motor | 1 | |
| 13 | 00051490 | Hexagon nut | 2 | |
| 14 | 00053770 | Washer | 2 | |
| 15 | 00053220 | Hex.bolt | 2 | |
| 16 | 00138180 | Hex.bolt | 1 | |
| 17 | 01132150 | Cover plate | 1 | |
| 18 | 01132160 | Pair of clamping | 1 | |
| 19 | 00740310 | Washer | 1 | |
| 20 | 00053350 | Hexagon nut | 1 | |
| 21 | 00967760 | Cable tie | 2 | |
| 22 | 00107380 | Feather key | 1 | |
| 23 | 00874340 | Washer | 1 | |
| 24 | 00053010 | Hex.bolt | 1 | |
| 25 | 00161240 | Edge protection | 170mm | |
| 26 | 97078646 | Accelerator | Page | 16 |

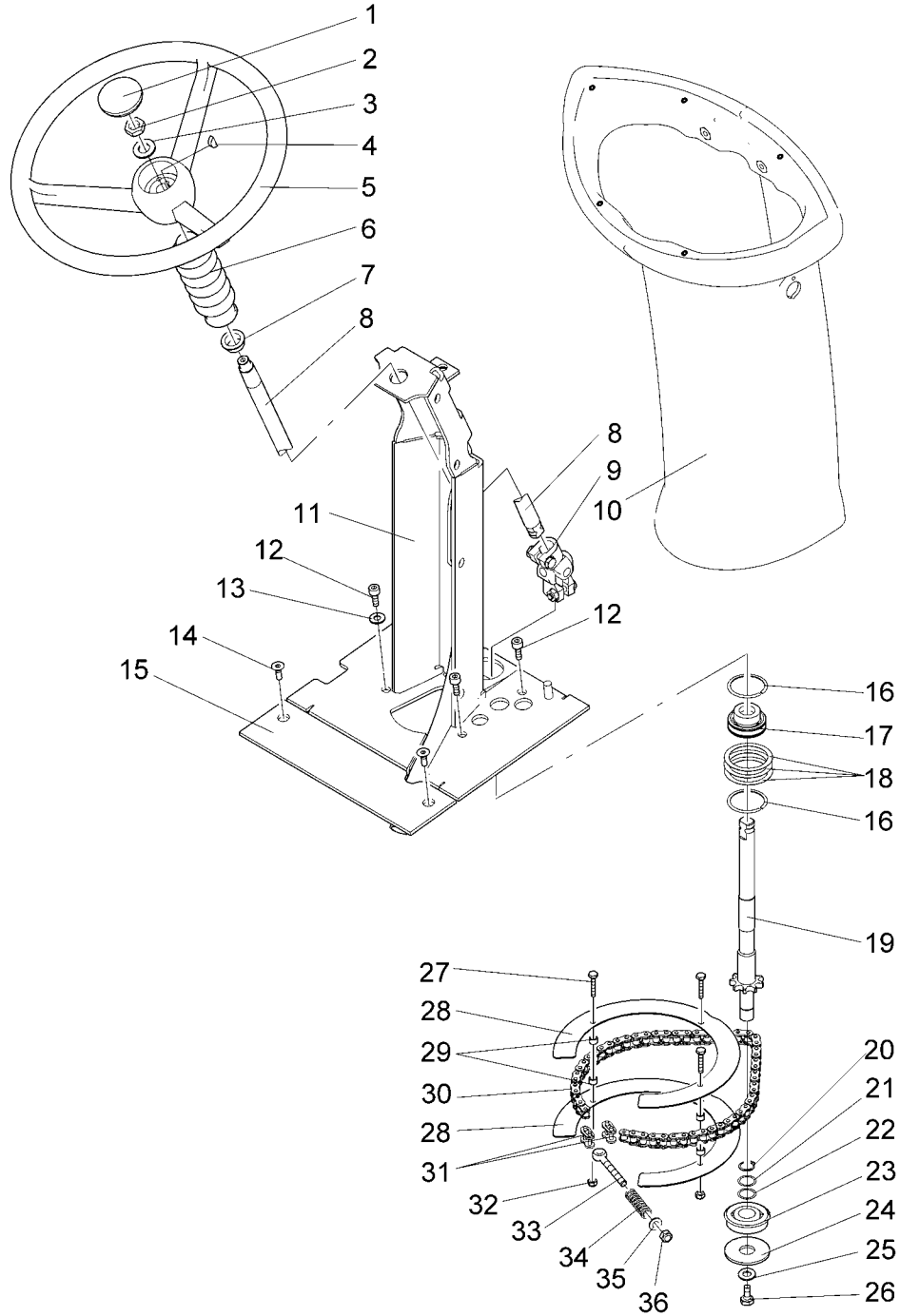
Accelerator (97078646)



Accelerator (97078646)

| Item | Part number | Description | Qty. | Remarks |
|------|-------------|---------------------|------|---------|
| 1 | 01110170 | Pedal | 1 | |
| 2 | 01133820 | retainer | 1 | |
| 3 | 00053100 | Hexagon screw | 3 | |
| 4 | 00740090 | Detent edged washer | 3 | |
| 5 | 00051510 | Hexagon nut | 2 | |
| 6 | 01015330 | Cylinder head screw | 11 | |
| 7 | 00046500 | Hex. Nut | 1 | |
| 8 | 00740310 | Washer | 5 | |
| 9 | 00053110 | Hexagon screw | 3 | |
| 10 | 00740090 | Detent edged washer | 3 | |
| 11 | 01133830 | retainer | 1 | |
| 12 | 01133840 | sheet metal | 1 | |
| 13 | 01055290 | Plain bearing bush | 2 | |
| 14 | 01133850 | bushing | 1 | |
| 15 | 01133860 | Round head screw | 1 | |
| 16 | 01133870 | sheet metal | 1 | |
| 17 | 00053750 | Washer | 1 | |
| 18 | 00053350 | Hexagon nut | 2 | |
| 19 | 01133880 | sheet metal | 1 | |
| 20 | 00746560 | Rrubber buffer | 2 | |
| 21 | 01133950 | Hinged joint | 3 | |
| 22 | 00054060 | Threaded bolt | 1 | |
| 23 | 01133890 | Threaded pin | 1 | |
| 24 | 00695300 | Washer | 3 | |
| 25 | 01133900 | lever | 1 | |
| 26 | 01133910 | rod | 1 | |
| 27 | 01090780 | Bellows | 1 | |
| 28 | 00057670 | Groove nut | 2 | |
| 29 | 00051510 | Hexagon nut | 1 | |
| 30 | 01090740 | Cap | 1 | |
| 31 | 00052170 | Retaining ring | 2 | |
| 32 | 00057650 | Bushing | 2 | |
| 33 | 00057630 | Spring sleeve | 1 | |
| 34 | 00057640 | Pressure spring | 1 | |
| 35 | 00053790 | Washer | 1 | |
| 36 | 00121150 | Cable tie | 1 | |

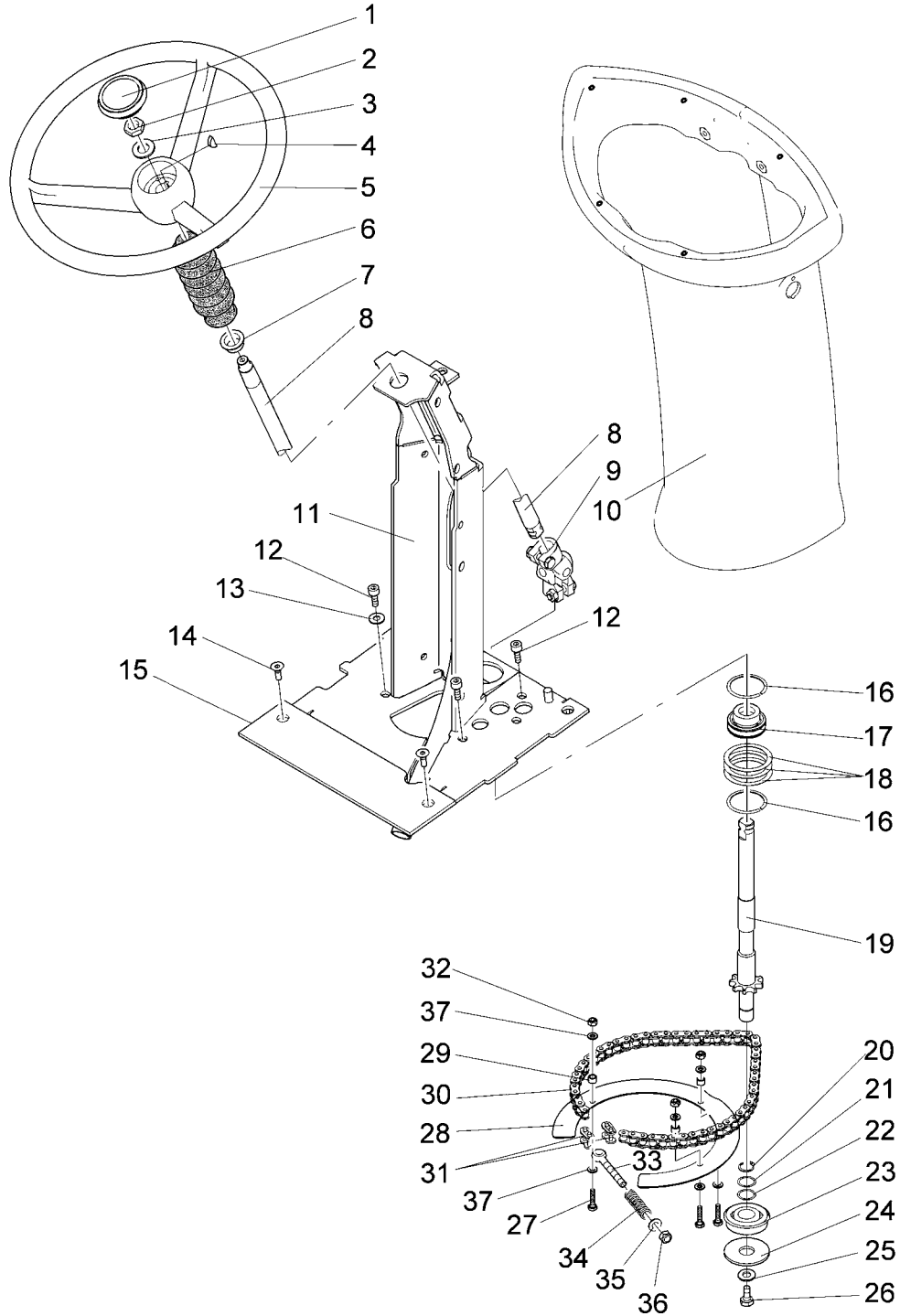
Steering (until aug. 2007) (97077127-1a 6502-33)



Steering (until aug. 2007) (97077127-1a 6502-33)

| Item | Part number | Description | Qty. | Remarks |
|------|-------------|--------------------------|------|---------|
| 1 | 00852310 | Cap | 1 | |
| 2 | 00053740 | Hexagon nut | 2 | |
| 3 | 00053780 | Washer | 1 | |
| 4 | 00153600 | Woodruff key | 1 | |
| 5 | 00770220 | Steering wheel | 1 | |
| 6 | 01130390 | Bellows | 1 | |
| 7 | 01130470 | Slide bearing bush | 5 | |
| 8 | 01132830 | Steering axle | 1 | |
| 9 | 00746040 | Cardan joint | 1 | |
| 10 | 01132840 | Steering column, cpl. | 1 | |
| 11 | 03004850 | steering carrier, cpl. | 1 | |
| 12 | 00045540 | Cylinder head screw | 4 | |
| 13 | 00740090 | Detent edged washer | 4 | |
| 14 | 00059080 | Countersunk screw | 2 | |
| 15 | 01135560 | Plate | 1 | |
| 16 | 01001260 | Circlip | 2 | |
| 17 | 01001320 | Bearing | 1 | |
| 18 | 01132850 | Adjusting washer | 3 | |
| 19 | 01132860 | Steering rod, cpl. | 1 | |
| 20 | 00022230 | Retaining ring | 1 | |
| 21 | 00155180 | Adjusting washer | 2 | |
| 22 | 00125680 | Adjusting washer | 1 | |
| 23 | 00901380 | Deep groove ball bearing | 1 | |
| 24 | 00954200 | Washer | 1 | |
| 25 | 00740080 | Washer | 1 | |
| 26 | 00053080 | Hexagon screw | 1 | |
| 27 | 00053040 | Hex.bolt | 3 | |
| 28 | 01132870 | Plate | 1 | |
| 29 | 01006840 | Bushing | 3 | |
| 30 | 01132880 | Roller chain | 1 | |
| 31 | 00535820 | Section | 2 | |
| 32 | 00051520 | Hexagon nut | 3 | |
| 33 | 01132890 | Eyebolt | 1 | |
| 34 | 00550410 | Pressure spring | 1 | |
| 35 | 00053750 | Washer | 1 | |
| 36 | 00051510 | Hexagon nut | 1 | |

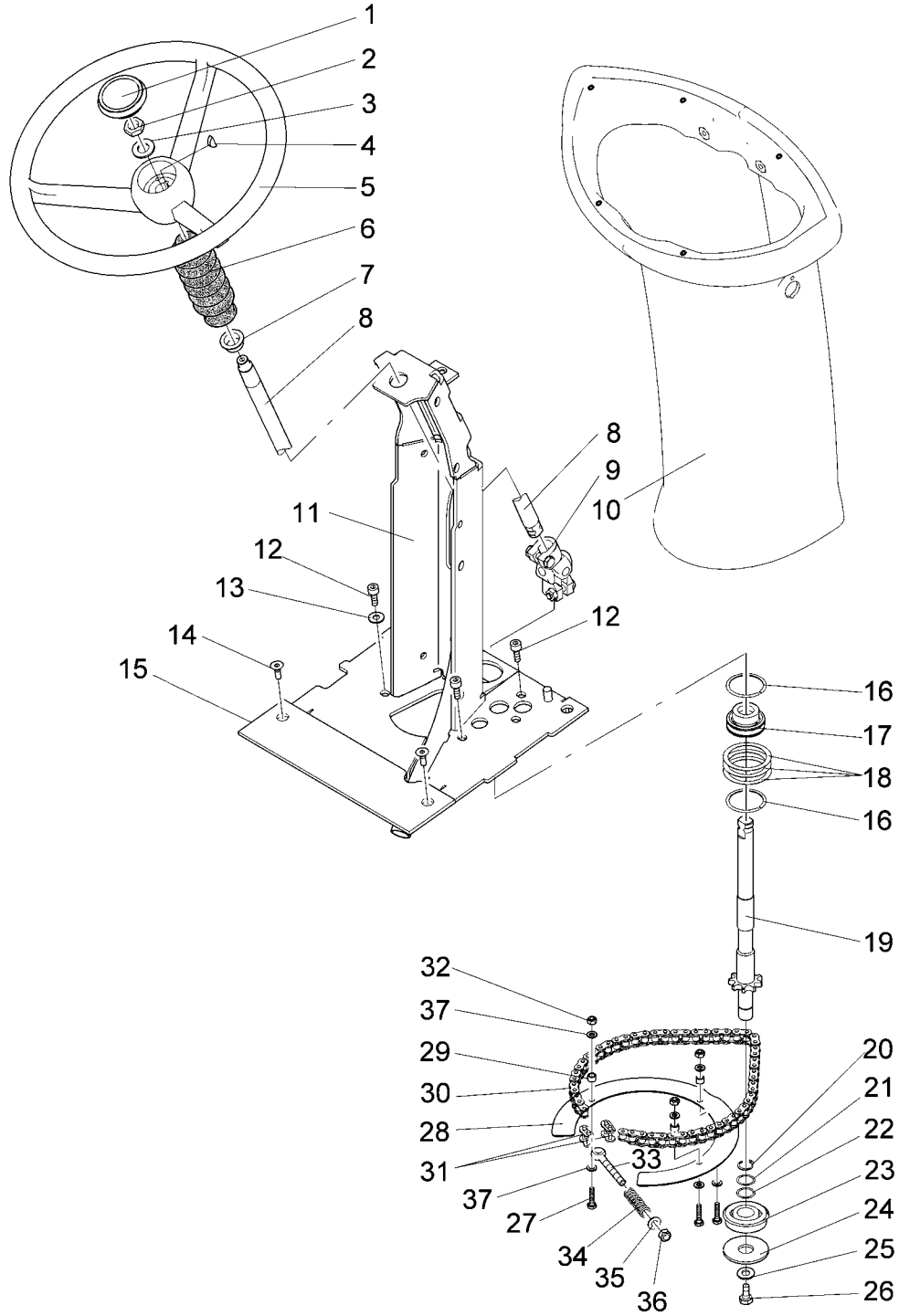
Steering (from sept. 2007) (97077127-1b 6502-33)



Steering (from sept. 2007) (97077127-1b 6502-33)

| Item | Part number | Description | Qty. | Remarks |
|------|-------------|--------------------------|------|---------|
| 1 | 01140650 | Cap | 1 | |
| 2 | 00053740 | Hexagon nut | 2 | |
| 3 | 00053780 | Washer | 1 | |
| 4 | 00153600 | Woodruff key | 1 | |
| 5 | 00770220 | Steering wheel | 1 | |
| 6 | 01132820 | Bellow | 1 | |
| 7 | 01130470 | Slide bearing bush | 5 | |
| 8 | 01132830 | Steering axle | 1 | |
| 9 | 00746040 | Cardan joint | 1 | |
| 10 | 01132840 | Steering column, cpl. | 1 | |
| 11 | 03007210 | Steering carrier, cpl. | 1 | |
| 12 | 00045540 | Cylinder head screw | 4 | |
| 13 | 00740090 | Detent edged washer | 4 | |
| 14 | 00059080 | Countersunk screw | 2 | |
| 15 | 01135560 | Plate | 1 | |
| 16 | 01001260 | Circlip | 2 | |
| 17 | 01001320 | Bearing | 1 | |
| 18 | 01132850 | Adjusting washer | 3 | |
| 19 | 01132860 | Steering rod, cpl. | 1 | |
| 20 | 00022230 | Retaining ring | 1 | |
| 21 | 00155180 | Adjusting washer | 2 | |
| 22 | 00125680 | Adjusting washer | 1 | |
| 23 | 00901380 | Deep groove ball bearing | 1 | |
| 24 | 00954200 | Washer | 1 | |
| 25 | 00740080 | Washer | 1 | |
| 26 | 00053080 | Hexagon screw | 1 | |
| 27 | 00053030 | Hexagon screw | 3 | |
| 28 | 01132870 | Plate | 1 | |
| 29 | 01006840 | Bushing | 3 | |
| 30 | 01132880 | Roller chain | 1 | |
| 31 | 00535820 | Section | 2 | |
| 32 | 00051520 | Hexagon nut | 3 | |
| 33 | 01132890 | Eyebolt | 1 | |
| 34 | 00550410 | Pressure spring | 1 | |
| 35 | 00053750 | Washer | 1 | |
| 36 | 00051510 | Hexagon nut | 1 | |

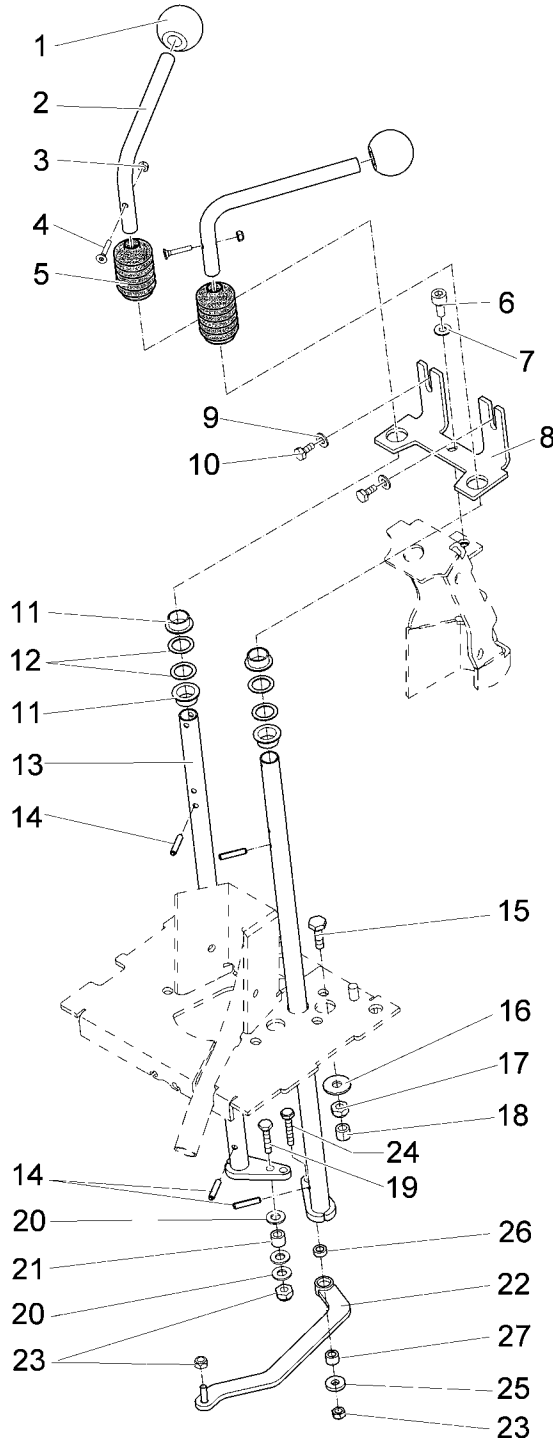
Steering (from sept. 2007) (97077127-1b 6502-33)



Steering (from sept. 2007) (97077127-1b 6502-33)

| Item | Part number | Description | Qty. | Remarks |
|------|-------------|-------------|------|---------|
| 37 | 00053730 | Washer | 6 | |

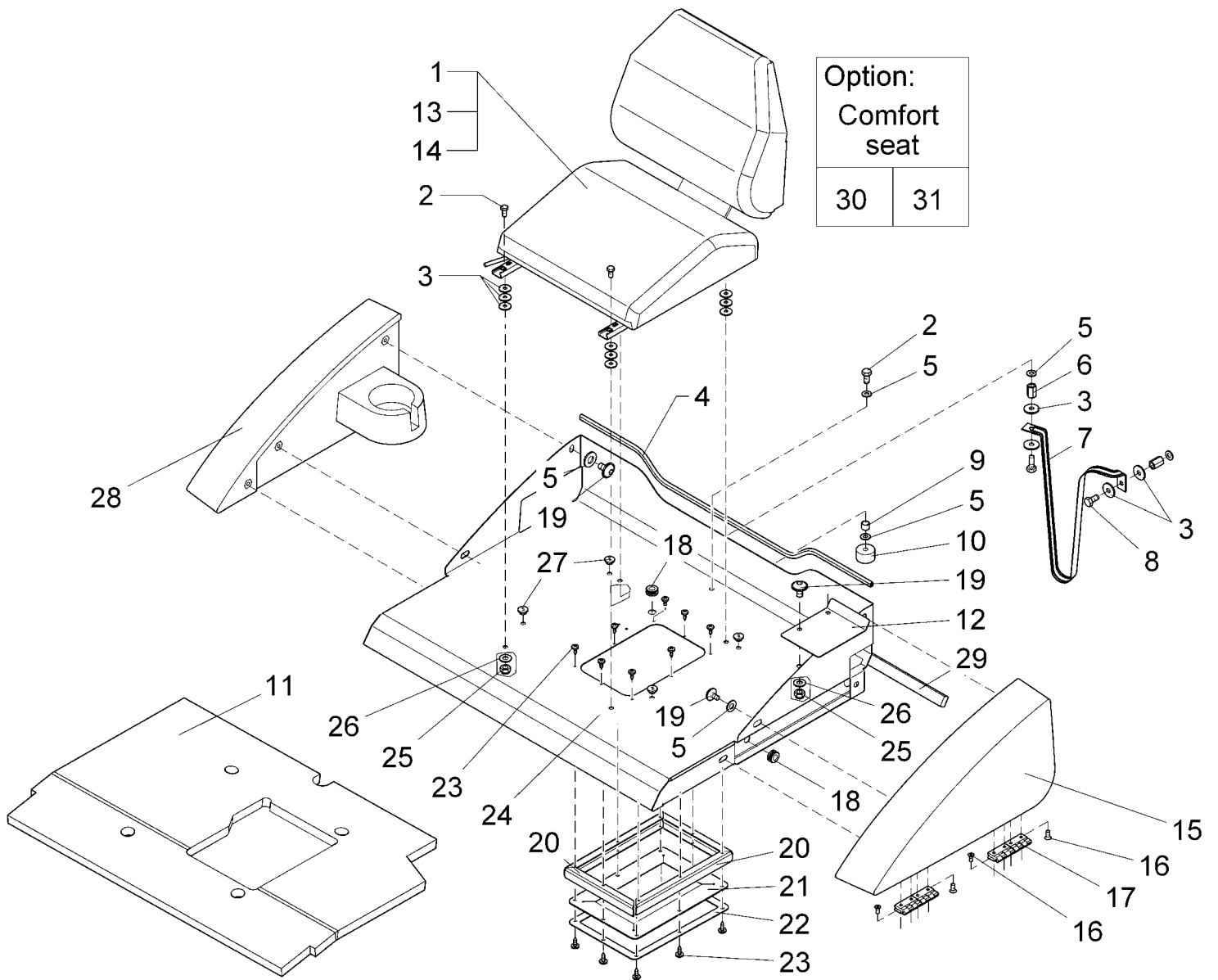
Manipulation for side brush and sweeping roller (97077127-2)



Manipulation for side brush and sweeping roller (97077127-2)

| Item | Part number | Description | Qty. | Remarks |
|------|-------------|--------------------|------|---------|
| 1 | 01132810 | Knob | 2 | |
| 2 | 01130410 | Arc | 2 | |
| 3 | 00051520 | Hexagon nut | 2 | |
| 4 | 01093180 | Countersunk screw | 2 | |
| 5 | 01132820 | Bellow | 2 | |
| 6 | 00108590 | Socket head screw | 1 | |
| 7 | 00053760 | Washer | 1 | |
| 8 | 03004840 | retainer | 1 | |
| 9 | 00053750 | Washer | 2 | |
| 10 | 00053080 | Hexagon screw | 2 | |
| 11 | 01130470 | Slide bearing bush | 2 | |
| 12 | 00153700 | Adjusting washer | 4 | |
| 13 | 01130430 | Lever | 2 | |
| 14 | 00044160 | Dowel pin | 4 | |
| 15 | 00053160 | Hexagon screw | 2 | |
| 16 | 00046520 | Washer | 2 | |
| 17 | 00051500 | Hexagon nut | 2 | |
| 18 | 01090960 | Hose PVC | 30mm | |
| 19 | 00054690 | Hexagon screw | 1 | |
| 20 | 00053750 | Washer | 3 | |
| 21 | 00733400 | Spacer sleeve | 1 | |
| 22 | 01130440 | Sheet metal | 1 | |
| 23 | 00051510 | Hexagon nut | 3 | |
| 24 | 00133700 | Hexagon screw | 1 | |
| 25 | 00695300 | Washer | 1 | |
| 26 | 01135590 | Slide bearing bush | 1 | |
| 27 | 01135600 | Slide bearing bush | 1 | |

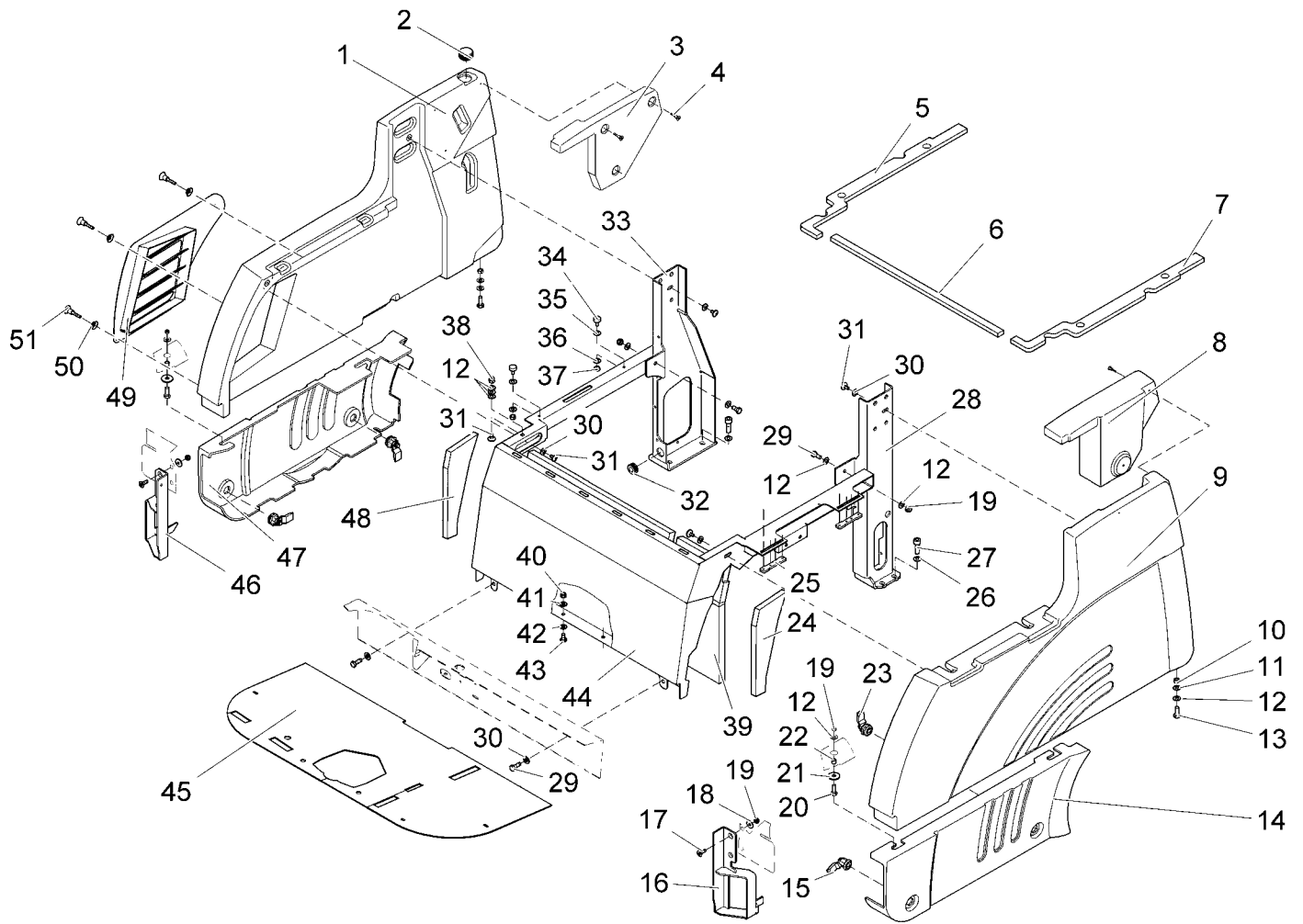
Seat - Covering (Part 1) (97079156-1)



Seat - Covering (Part 1) (97079156-1)

| Item | Part number | Description | Qty. | Remarks |
|------|-------------|-------------------------------|-------|--|
| 1 | 01071360 | Seat | 1 | |
| 2 | 00077110 | Hexagon screw | 6 | |
| 3 | 00042900 | Washer | 12 | |
| 4 | 00721090 | Edge protection | 770mm | |
| 5 | 00740080 | Washer | 16 | |
| 6 | 00744340 | Hex. Nut | 2 | |
| 7 | 01055740 | Belt | 1 | |
| 8 | 00053080 | Hexagon screw | 2 | |
| 9 | 00733400 | Spacer sleeve | 1 | |
| 10 | 00733560 | Bumper | 1 | |
| 11 | 01133640 | insulation mat | 1 | |
| 12 | 01133360 | Plate | 1 | |
| 13 | 01073290 | Micro switch | 1 | |
| 14 | XXXXXXXX | no part-No. til yet | 1 | Chair cushion SC76 incl. seat switch 01073290 |
| 15 | 01133370 | Hood L.H. red | 1 | |
| 16 | 01133380 | Countersunk screw | 16 | |
| 17 | 00029230 | Hinge | 4 | |
| 18 | 00740360 | Cable sleeve | 3 | |
| 19 | 01133350 | Lens flange screw | 8 | |
| 20 | 01133630 | Frame | 2 | |
| 21 | 01131890 | Gasket | 1 | |
| 22 | 01131880 | Frame | 1 | |
| 23 | 00134850 | Tapping screw | 16 | |
| 24 | 03005450 | Seat flap | 1 | |
| 25 | 00051510 | Hexagon nut | 7 | |
| 26 | 00053750 | Washer | 18 | |
| 27 | 00906060 | Drain plug | 4 | |
| 28 | 01133330 | Hood R.H. red | 3 | |
| 29 | 01031010 | Foam rubber self sticking | 740mm | |
| 30 | 99709300 | Comfort seat | 1 | |
| 31 | 00041420 | Contact switch for seat, cpl. | 1 | |

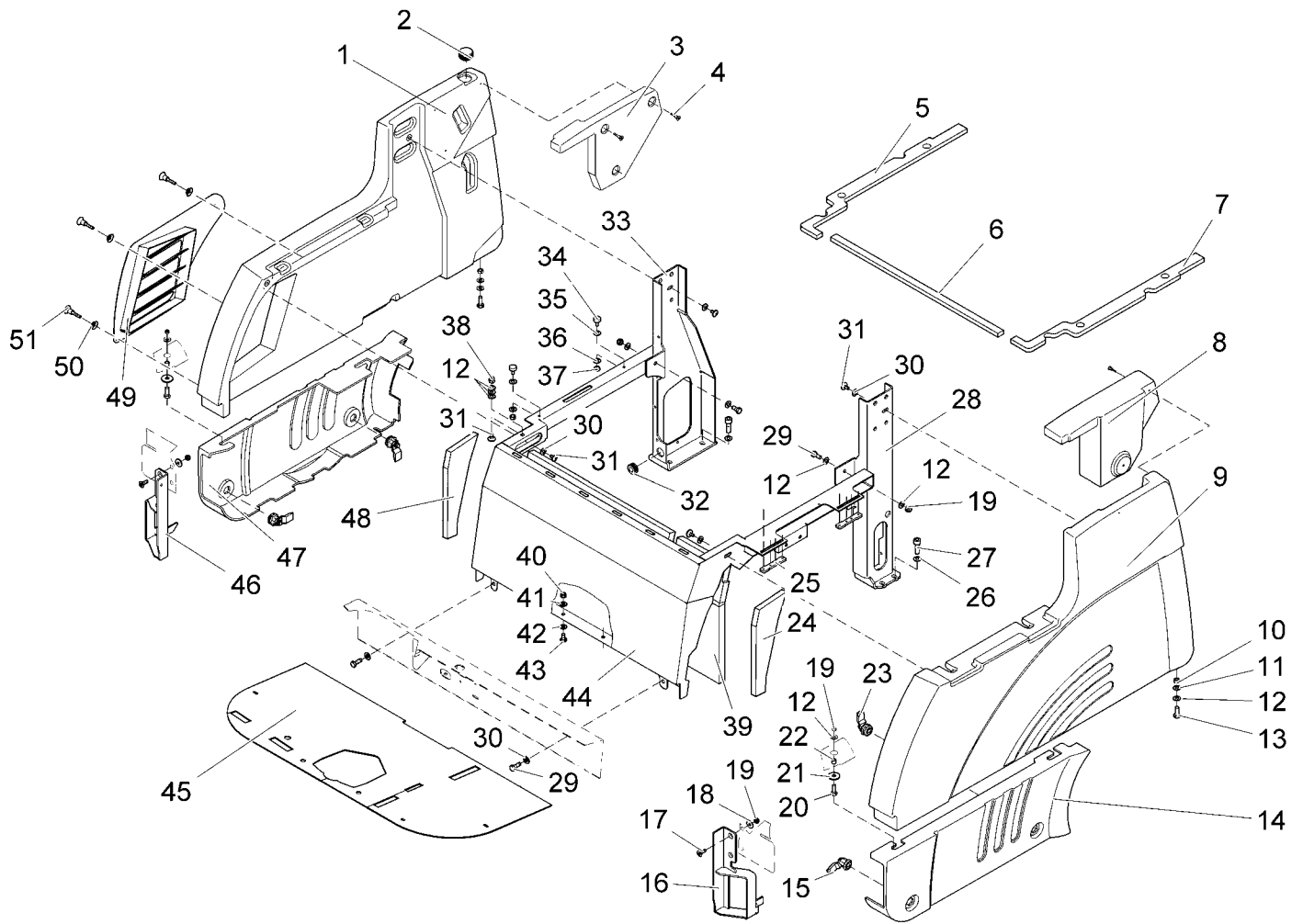
Seat - Covering (Part 2) (97079156-2)



Seat - Covering (Part 2) (97079156-2)

| Item | Part number | Description | Qty. | Remarks |
|------|-------------|---------------------------|-------|---------|
| 1 | 01133650 | covering R.H. | 1 | |
| 2 | 01066690 | Plug | 1 | |
| 3 | 01133320 | Covering R.H. red | 1 | |
| 4 | 01063420 | Self tapping screw | 10 | |
| 5 | 01133340 | gasket R.H. | 1 | |
| 6 | 01031010 | Foam rubber self sticking | 610mm | |
| 7 | 01133430 | gasket L.H. | 1 | |
| 8 | 01133390 | Covering L.H. red | 1 | |
| 9 | 01133400 | Covering L.H. red | 1 | |
| 10 | 00053350 | Hexagon nut | 6 | |
| 11 | 00740310 | Washer | 6 | |
| 12 | 00053750 | Washer | 8 | |
| 13 | 00054690 | Hexagon screw | 6 | |
| 14 | 01130250 | Covering, L.H. | 1 | |
| 15 | 00121730 | Sash fastener | 2 | |
| 16 | 01133410 | Retainer L.H. | 1 | |
| 17 | 00059080 | Countersunk screw | 4 | |
| 18 | 00042900 | Washer | 4 | |
| 19 | 00051510 | Hexagon nut | 4 | |
| 20 | 00053110 | Hexagon screw | 4 | |
| 21 | 00042900 | Washer | 4 | |
| 22 | 00733400 | Spacer sleeve | 4 | |
| 23 | 01130270 | Casement fastener | 2 | |
| 24 | 01133660 | insulation mat L.H. | 1 | |
| 25 | 01072970 | Adjusting latch | 2 | |
| 26 | 00870090 | Detent edged washer | 8 | |
| 27 | 00135030 | Socket head screw | 8 | |
| 28 | 01133420 | Support | 1 | |
| 29 | 00077110 | Hexagon screw | 2 | |
| 30 | 00740080 | Washer | 2 | |
| 31 | 01133350 | Lens flange screw | 7 | |
| 32 | 00555440 | Cable sleeve | 1 | |
| 33 | 01133460 | Support | 1 | |
| 34 | 00127470 | Buffer | 2 | |
| 35 | 00856290 | Washer | 2 | |
| 36 | 00730940 | Detent edged washer | 2 | |

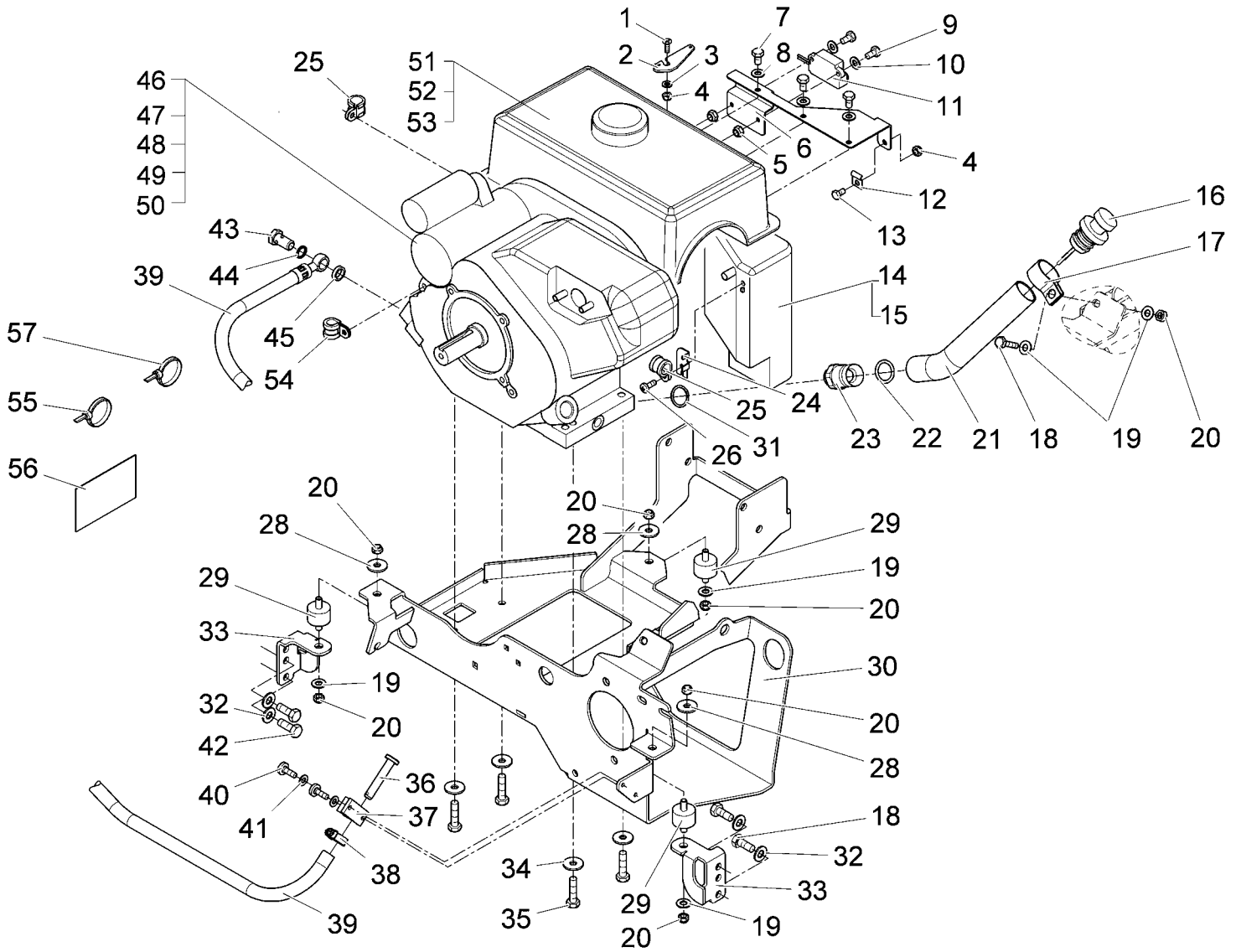
Seat - Covering (Part 2) (97079156-2)



Seat - Covering (Part 2) (97079156-2)

| Item | Part number | Description | Qty. | Remarks |
|------|-------------|--------------------------|------|---------|
| 37 | 00053330 | Hexagon nut | 2 | |
| 38 | 00041790 | Cap nut | 1 | |
| 39 | 01133670 | insulation mat | 1 | |
| 40 | 00051520 | Hexagon nut | 2 | |
| 41 | 00730940 | Detent edged washer | 2 | |
| 42 | 00053730 | Washer | 2 | |
| 43 | 00104500 | Hexagon screw | 2 | |
| 44 | 03005460 | Support | 1 | |
| 45 | 01133440 | Rubber mat | 1 | |
| 46 | 01133450 | Retainer R.H. | 1 | |
| 47 | 01130260 | Covering, R.H. | 1 | |
| 48 | 01133680 | insulation mat R.H. | 1 | |
| 49 | 01131900 | Ventilation screen, cpl. | 1 | |
| 50 | 00076210 | Annular plate | 4 | |
| 51 | 01063420 | Self tapping screw | 4 | |

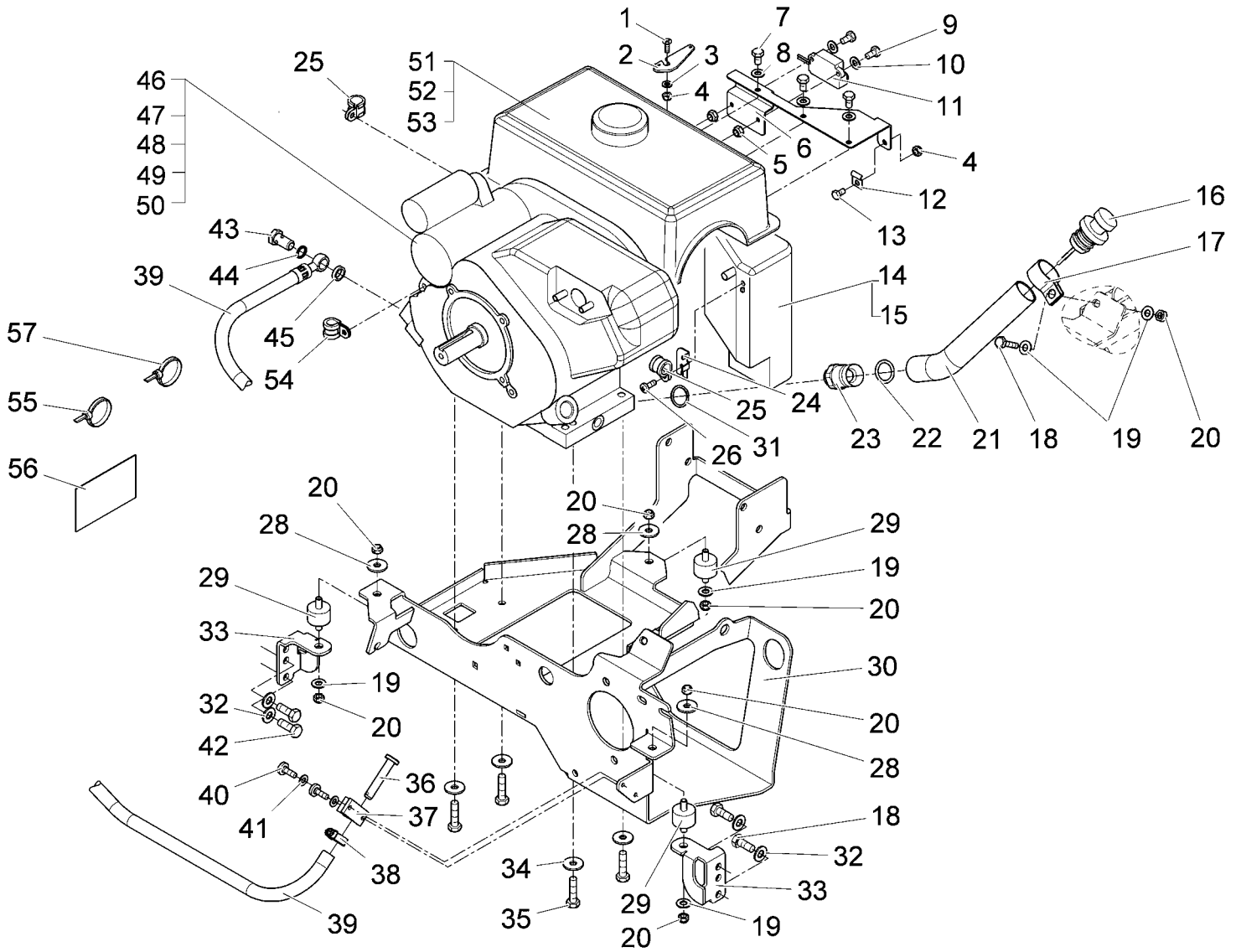
Engine (97076806-1)



Engine (97076806-1)

| Item | Part number | Description | Qty. | Remarks |
|------|-------------|----------------------|------|----------------------|
| 1 | 00154680 | Countersunk screw | 1 | |
| 2 | 01134020 | mounting link | 1 | |
| 3 | 00053730 | Washer | 1 | |
| 4 | 00051520 | Hexagon nut | 2 | |
| 5 | 00051340 | Hexagon nut | 2 | |
| 6 | 01134030 | angle plate | 1 | |
| 7 | 00053010 | Hex.bolt | 3 | |
| 8 | 00740280 | Washer | 3 | |
| 9 | 00106160 | Hex.bolt | 2 | |
| 10 | 00053720 | Washer | 2 | |
| 11 | 01134280 | oil level control | 1 | |
| 12 | 00534470 | Clamp | 1 | |
| 13 | 00104500 | Hexagon screw | 1 | |
| 14 | 01134220 | air filter element | 1 | |
| 15 | 01134230 | preliminary filter | 1 | |
| 16 | 01134270 | oil dip stick | 1 | |
| 17 | 00857580 | Tube clamp | 1 | |
| 18 | 00053110 | Hexagon screw | 3 | |
| 19 | 00053750 | Washer | 5 | |
| 20 | 00051510 | Hexagon nut | 12 | |
| 21 | XXXXXXXX | no part-No. til yet | 1 | 90420522 Insert pipe |
| 22 | 00078430 | O-ring oil resistant | 1 | |
| 23 | 01134040 | adapter | 1 | |
| 24 | 01134050 | rotation angle | 1 | |
| 25 | 00109470 | Tube clamp | 2 | |
| 26 | 00873910 | Truss head screw | 1 | |
| 28 | 00042900 | Washer | 1 | |
| 29 | 00746560 | Rrubber buffer | 3 | |
| 30 | 03005980 | angle plate | 1 | |
| 31 | 00965530 | Sealing ring | 1 | |
| 32 | 00740090 | Detent edged washer | 7 | |
| 33 | 01134060 | U-console | 2 | |
| 34 | 00042900 | Washer | 2 | |
| 35 | 00133700 | Hexagon screw | 5 | |
| 36 | 00706440 | Bolt | 1 | |
| 37 | 00100460 | Clamp | 1 | |

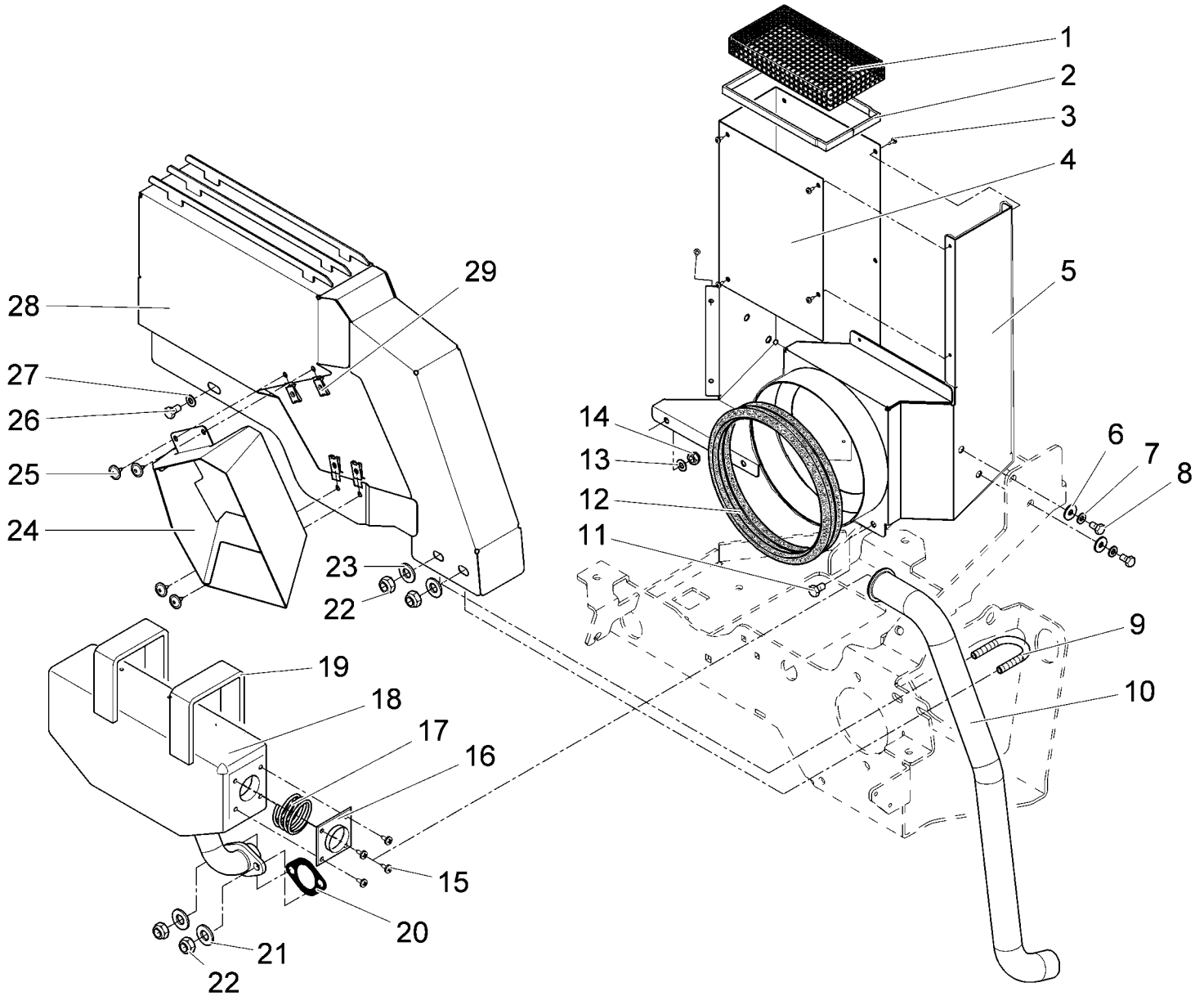
Engine (97076806-1)



Engine (97076806-1)

| Item | Part number | Description | Qty. | Remarks |
|------|-------------|------------------|------|---------|
| 38 | 00074300 | Hose clamp | 1 | |
| 39 | 01134070 | Oil drain hose | 1 | |
| 40 | 00959220 | Screw | 2 | |
| 41 | 00053720 | Washer | 2 | |
| 42 | 00053090 | Hexagon screw | 2 | |
| 43 | 00052430 | Banjo bolt | 1 | |
| 44 | 01018720 | Sealing ring | 2 | |
| 45 | 01134080 | Sealing ring | 1 | |
| 46 | 01134120 | gasket | 1 | |
| 47 | 01134130 | valve cover | 1 | |
| 48 | 01134140 | spark plug | 1 | |
| 49 | 01134260 | starter | 1 | |
| 50 | 01134290 | ignition coil | 1 | |
| 51 | 03008110 | Engine KAWASAKI | 1 | |
| 52 | 01134240 | tank cap | 1 | |
| 53 | 01134250 | filter cartridge | 1 | |
| 54 | 00130250 | Pipe clamp | 1 | |
| 55 | 00121010 | Cable tie | 10 | |
| 56 | 03008790 | Backing film | 1 | |
| 57 | 00967760 | Cable tie | 6 | |

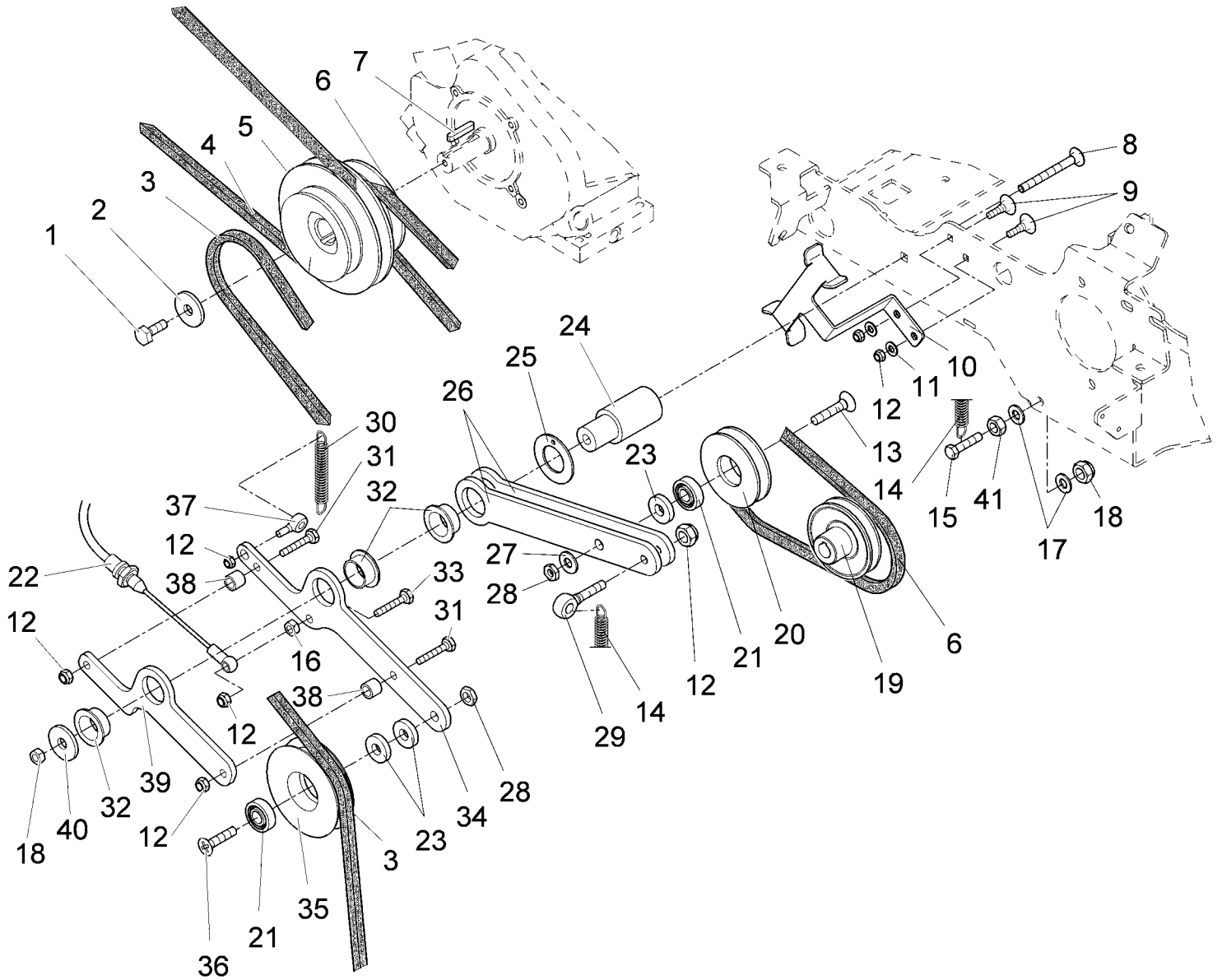
Exhaust system (97076806-2)



Exhaust system (97076806-2)

| Item | Part number | Description | Qty. | Remarks |
|------|-------------|---------------------|-------|---------------------------|
| 1 | 03004200 | Protection grille | 1 | |
| 2 | 01075290 | Gasket TESAMOLL | 500mm | |
| 3 | 00134850 | Tapping screw | 10 | |
| 4 | 03004210 | Air shaft | 1 | |
| 5 | 03004220 | Air funnel | 1 | |
| 6 | 00135120 | Washer | 4 | |
| 7 | 00740280 | Washer | 4 | |
| 8 | 00053010 | Hex.bolt | 4 | |
| 9 | 01132420 | Clamp | 1 | |
| 10 | 01134090 | exhaust tube | 1 | |
| 11 | 00104500 | Hexagon screw | 3 | |
| 12 | 01052820 | Edge protection | 560mm | |
| 13 | 00053730 | Washer | 2 | |
| 14 | 00051520 | Hexagon nut | 5 | |
| 15 | 01134190 | flange screw | 4 | |
| 16 | 01134170 | flange | 1 | |
| 17 | 01134180 | compression spring | 1 | |
| 18 | 01134160 | muffler | 1 | |
| 19 | XXXXXXXX | no part-No. til yet | 2 | 90459165 Insolating strip |
| 20 | 00070400 | Seal | 1 | |
| 21 | 01134210 | spring washer | 2 | |
| 22 | 00696640 | Hex. Nut | 2 | |
| 23 | 00042900 | Washer | 2 | |
| 24 | 01134100 | suction funnel | 1 | |
| 25 | 00747160 | Tapping screw | 4 | |
| 26 | 00151810 | Hexagon screw | 1 | |
| 27 | 00740090 | Detent edged washer | 1 | |
| 28 | 01134110 | exhaust protection | 1 | |
| 29 | 00558830 | Snap nut | 4 | |

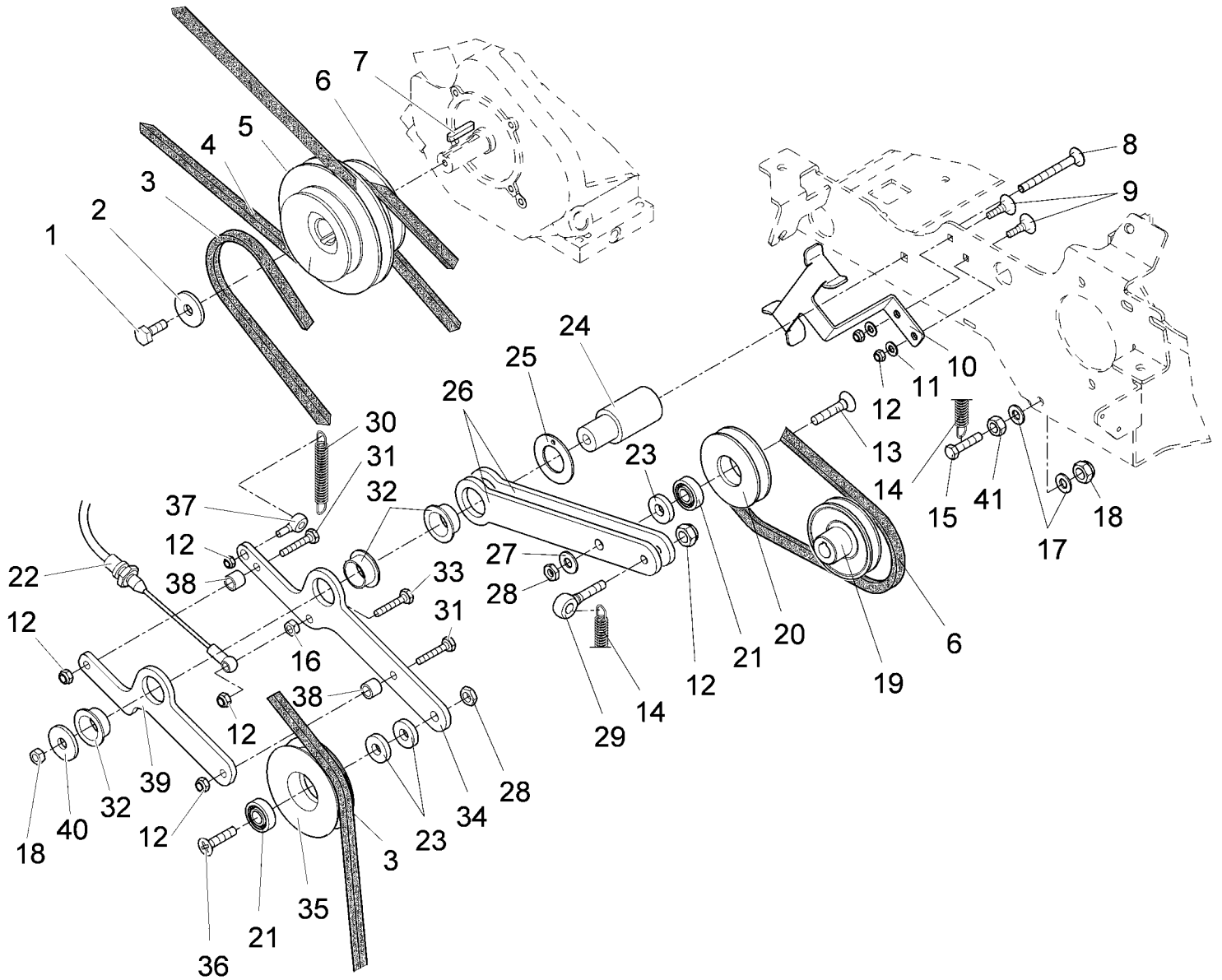
Drive belt plant (97076806-3 A)



Drive belt plant (97076806-3 A) 1900-01-01 --> 2009-03-31

| Item | Part number | Description | Qty. | Remarks |
|------|-------------|--------------------------|------|-------------|
| 1 | 00053090 | Hexagon screw | 3 | |
| 2 | 00879170 | Washer | 1 | |
| 3 | 01132220 | V-belt | 1 | |
| 4 | 01005950 | V-belt | 1 | |
| 5 | 01133750 | belt pulley | 1 | |
| 6 | 01132250 | Narrow drive belt | 1 | |
| 7 | XXXXXXXX | no part-No. til yet | 1 | Feather key |
| 8 | 01132320 | Round head screw | 1 | |
| 9 | 01132310 | Round head screw | 2 | |
| 10 | 01132300 | Drive belt plant | 1 | |
| 11 | 00053730 | Washer | 2 | |
| 12 | 00051520 | Hexagon nut | 4 | |
| 13 | 00509000 | Countersunk screw | 1 | |
| 14 | 00705310 | Tension spring | 1 | |
| 15 | 00138180 | Hex.bolt | 1 | |
| 16 | 00053330 | Hexagon nut | 1 | |
| 17 | 00053750 | Washer | 2 | |
| 18 | 00051510 | Hexagon nut | 2 | |
| 19 | 01133760 | belt pulley | 1 | |
| 20 | 01130970 | Pulley | 1 | |
| 21 | 00126330 | Deep groove ball bearing | 2 | |
| 22 | 01132270 | Bowden cable | 1 | |
| 23 | 01130950 | Bushing | 3 | |
| 24 | 01133770 | bearing bolt | 1 | |
| 25 | 01133780 | Starting disk | 1 | |
| 26 | 01133790 | mounting link | 2 | |
| 27 | 00740090 | Detent edged washer | 1 | |
| 28 | 00046500 | Hex. Nut | 2 | |
| 29 | 00508770 | Eye bolt | 1 | |
| 30 | 01131000 | Pull spring | 1 | |
| 31 | 00053040 | Hex.bolt | 2 | |
| 32 | 01130470 | Slide bearing bush | 3 | |
| 33 | 00053030 | Hexagon screw | 1 | |
| 34 | 01131010 | Holder | 1 | |
| 35 | 01132280 | Ring | 1 | |
| 36 | 00076470 | Countersunk screw | 1 | |

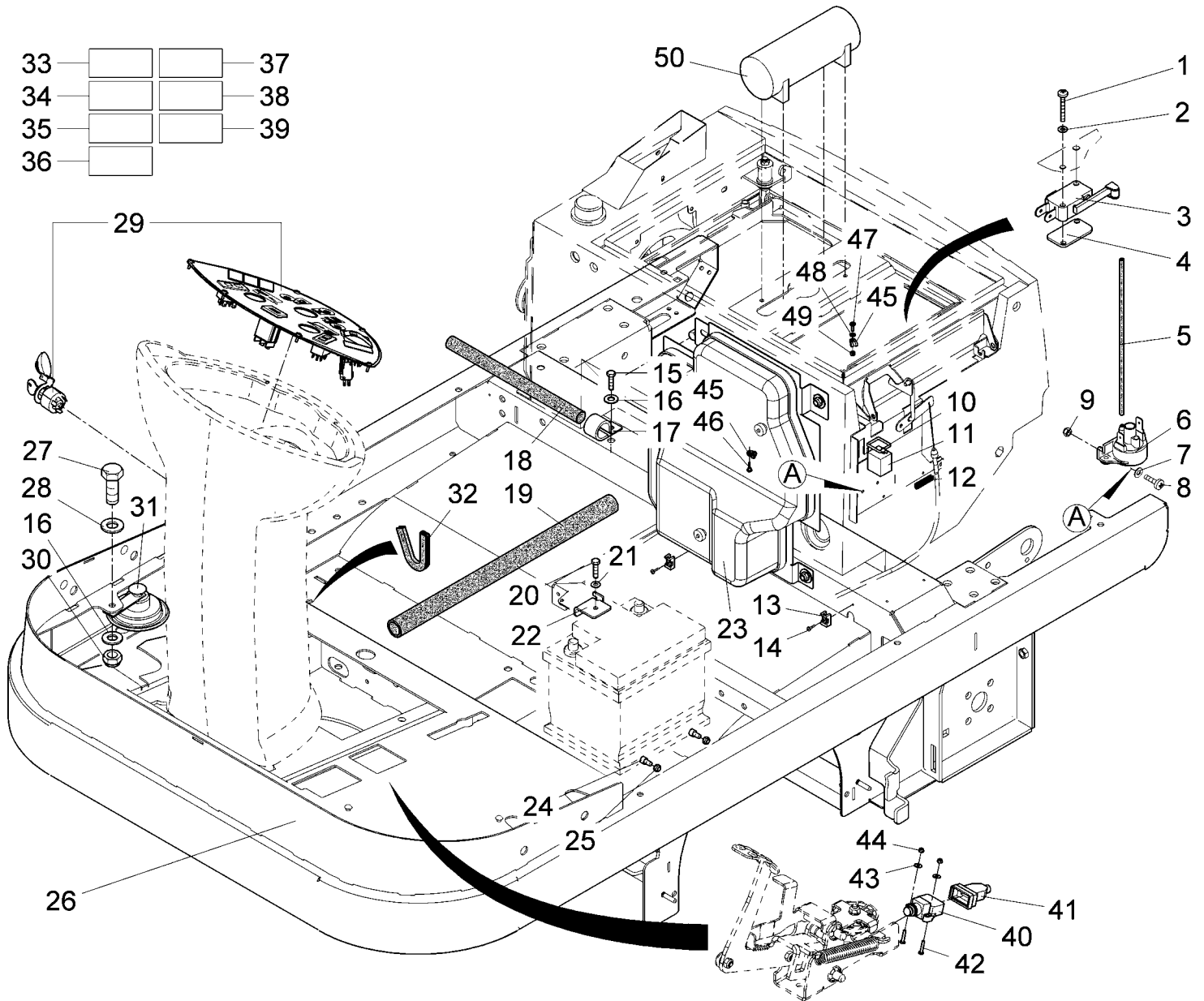
Drive belt plant (97076806-3 A)



Drive belt plant (97076806-3 A) 1900-01-01 --> 2009-03-31

| Item | Part number | Description | Qty. | Remarks |
|-------------|--------------------|--------------------|-------------|----------------|
| 37 | 01111020 | Eye bolt | 1 | |
| 38 | 00733400 | Spacer sleeve | 2 | |
| 39 | 01131020 | Idler sheet metal | 1 | |
| 40 | 00042900 | Washer | 1 | |
| 41 | 00053350 | Hexagon nut | 1 | |

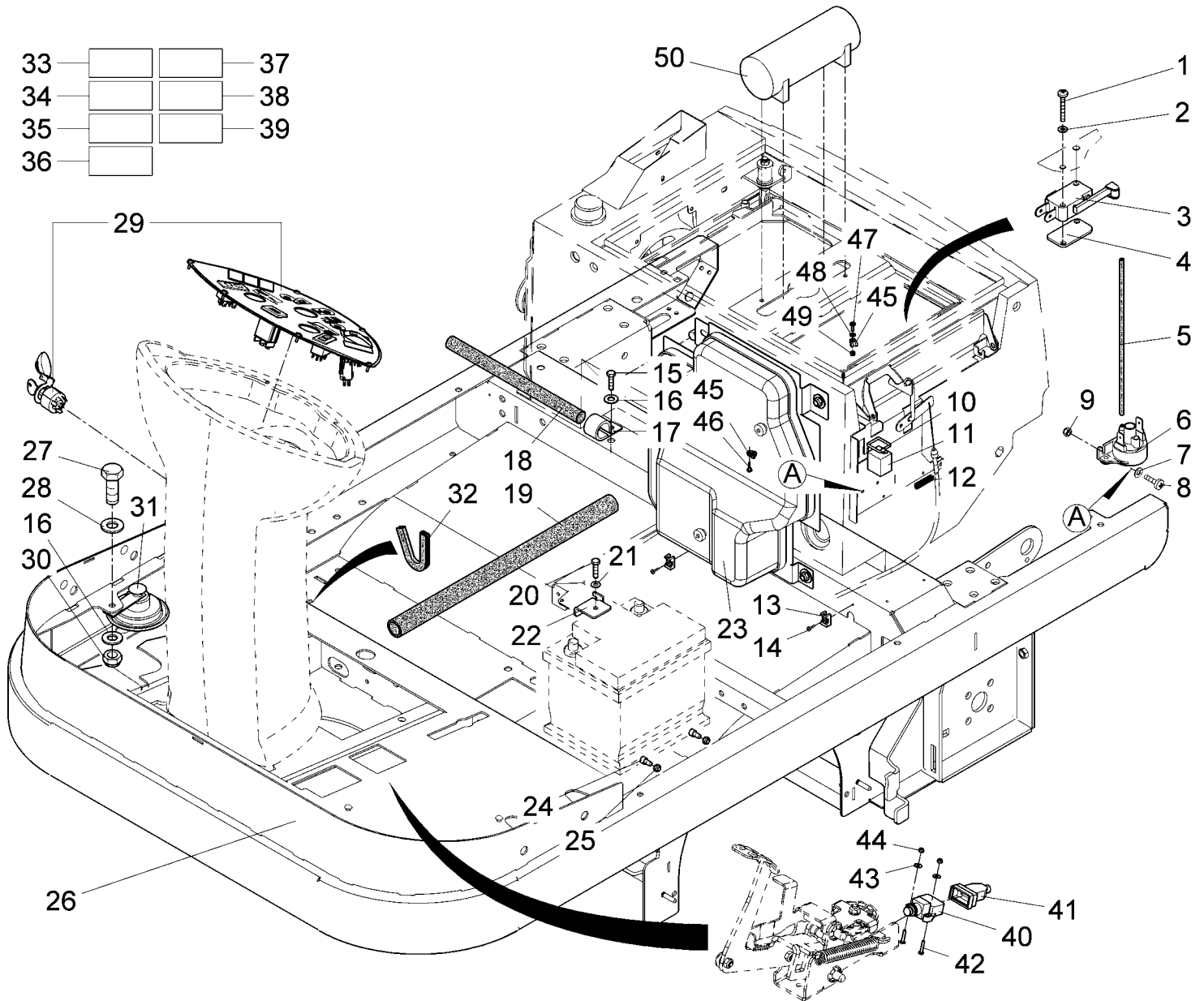
Electrical equipment - Frame (97092043)



Electrical equipment - Frame (97092043)

| Item | Part number | Description | Qty. | Remarks |
|------|---------------------|----------------------|-------------|----------------------------|
| 1 | 00955220 | Fillister-head screw | 2 | |
| 2 | 00747400 | Washer | 2 | |
| 3 | 00975510 | Micro switch | 1 | |
| 4 | 01074840 | Thread base plate | 1 | |
| 5 | 01090200 | Hose | 250mm | |
| 6 | 01133980 | push button switch | 1 | |
| 7 | 00553740 | Washer | 2 | |
| 8 | 00535780 | Fillister-head screw | 2 | |
| 9 | 00022200 | Hex. Nut | 2 | |
| 10 | 00967760 | Cable tie | 33 | |
| 11 | 01132670 | Bush bearing | 1 | |
| 12 | 00721090 | Edge protection | 40mm | |
| 13 | 00780710 | Socket | 5 | |
| 14 | 00134850 | Tapping screw | 2 | |
| 15 | 00053090 | Hexagon screw | 1 | |
| 16 | 00053750 | Washer | 2 | |
| 17 | 01133990 | Pipe clamp | 1 | |
| 18 | 01132600 | Wave tube | 300mm | |
| 19 | 01134000 | corrugated tube | 500mm | |
| 20 | 00133700 | Hexagon screw | 1 | |
| 21 | 00740090 | Detent edged washer | 1 | |
| 22 | 01132620 | Angle | 1 | |
| 23 | 97092043BT10 | Electro box | Page | 46 |
| 24 | 00134200 | Socket head screw | 2 | |
| 25 | 00051520 | Hexagon nut | 2 | |
| 26 | 03003360 | Chassis, cpl | 1 | |
| 27 | 00077110 | Hexagon screw | 1 | |
| 28 | 00740310 | Washer | 1 | |
| 29 | 97081129 | Control panel | Page | 56 |
| 30 | 00051510 | Hexagon nut | 1 | |
| 31 | 01134010 | signal horn 12V | 1 | |
| 32 | 00161240 | Edge protection | 170mm | |
| 33 | XXXXXXXX | no part-No. til yet | 1 | 97081210 Wiring harness W2 |
| 34 | XXXXXXXX | no part-No. til yet | 1 | 97103741 Wiring harness W4 |
| 35 | XXXXXXXX | no part-No. til yet | 1 | 97081210 Wiring harness W7 |
| 36 | XXXXXXXX | no part-No. til yet | 1 | 97103758 Wiring harness W8 |

Electrical equipment - Frame (97092043)



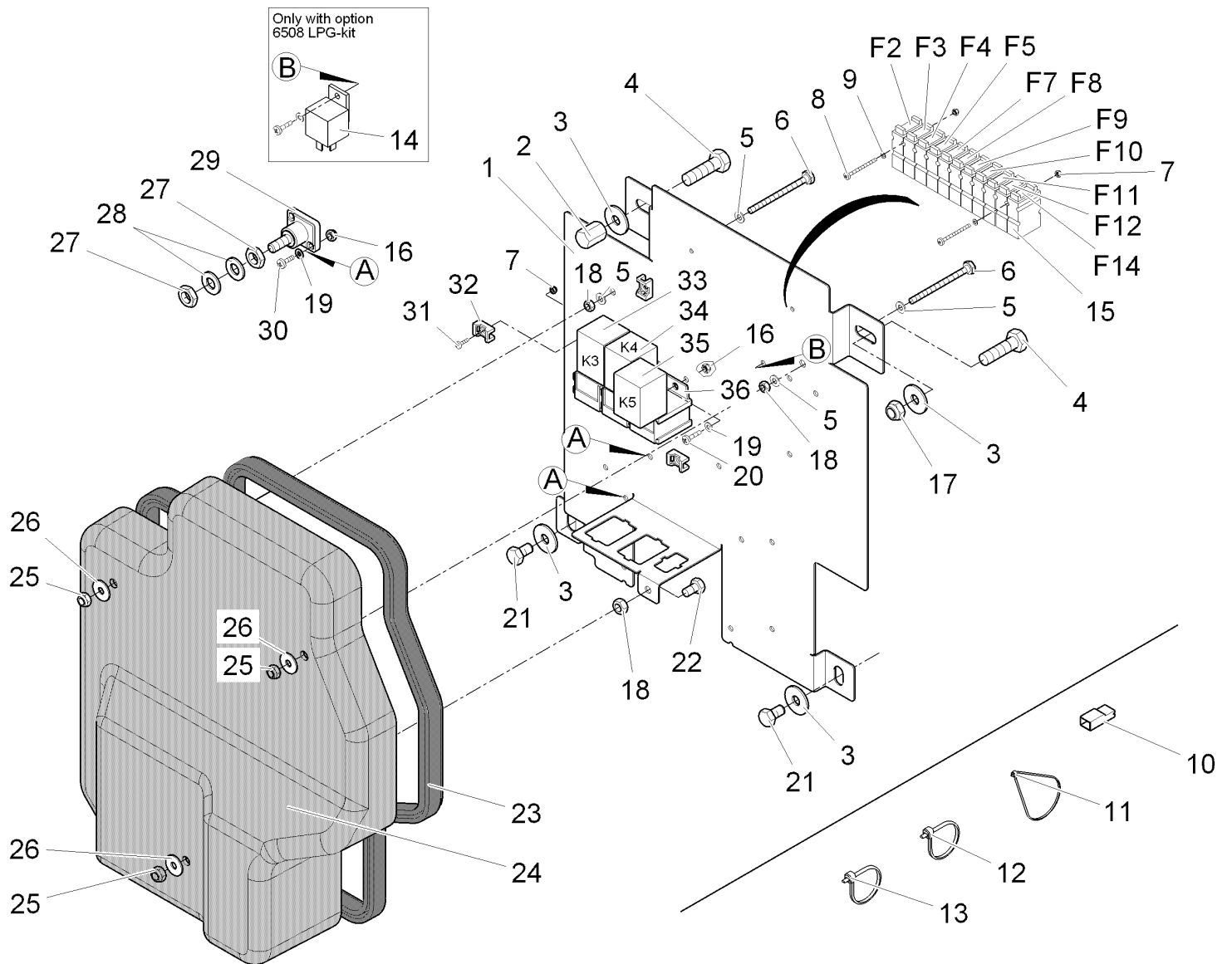
Electrical equipment - Frame (97092043)

| Item | Part number | Description | Qty. | Remarks |
|------|-------------|----------------------|------|-----------------------------|
| 37 | XXXXXXXX | no part-No. til yet | 1 | 97103766 Wiring harness W10 |
| 38 | 03007620 | Wiring harness W19 | 1 | |
| 39 | XXXXXXXX | no part-No. til yet | 1 | 97103790 Cable set |
| 40 | 00927610 | Switch | 1 | |
| 41 | 00927630 | Cap | 1 | |
| 42 | 00108490 | Hex.bolt | 2 | |
| 43 | 00557150 | Washer | 2 | |
| 44 | 00133830 | Hex. Nut | 2 | |
| 45 | 00903290 | Tube clamp | 2 | |
| 46 | 00961490 | Self tapping screw | 1 | |
| 47 | 00052620 | Fillister-head screw | 1 | |
| 48 | 00053710 | Washer | 1 | |
| 49 | 00133830 | Hex. Nut | 1 | |
| 50 | 01000890 | Vibration motor | 1 | |

Electro box (97092043BT10)

| Assembly | Description | Page |
|-----------------|---|-------------|
| 97092043BT11 | Electronical box (until appr. 14.05.2008) | 47 |
| 97092043BT12 | Electronical box (from appr. 15.05.2008) | 52 |

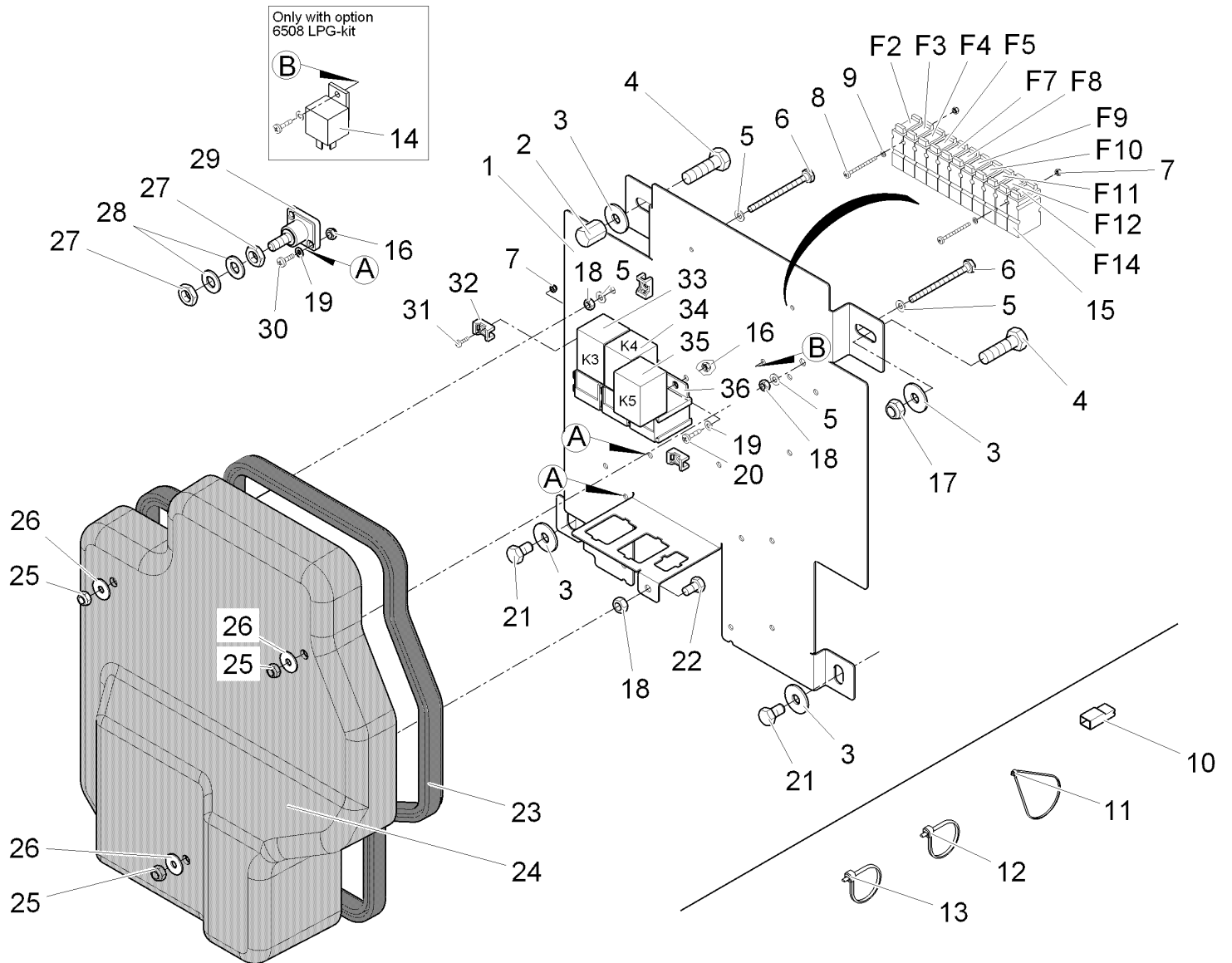
Electronical box (until appr. 14.05.2008) (97092043BT11)



Electronical box (until appr. 14.05.2008) (97092043BT11)

| Item | Part number | Description | Qty. | Remarks |
|------|-------------|----------------------|--------|--------------------------------|
| 1 | 01133710 | sheet metal | 1 | |
| 2 | 00744340 | Hex. Nut | 1 | |
| 3 | 00042900 | Washer | 4 | |
| 4 | 00041600 | Hex.bolt | 2 | |
| 5 | 00053730 | Washer | 4 | |
| 6 | 01132650 | Hexagon screw | 2 | |
| 7 | 00022200 | Hex. Nut | 5 | |
| 8 | 00101580 | Fillister-head screw | 2 | |
| 9 | 00553740 | Washer | 2 | |
| 10 | 01133740 | protection sleeve | 2 | |
| 11 | 00121150 | Cable tie | 25 | |
| 12 | 00121010 | Cable tie | 25 | |
| 13 | 00967760 | Cable tie | 33 | |
| 14 | 01073980 | relay LSS 230 | 1 | Only with option 6508 LPG-kit! |
| 15 | 00733650 | Fuse holder | 12 | |
| 16 | 00133830 | Hex. Nut | 10 | |
| 17 | 00051510 | Hexagon nut | 1 | |
| 18 | 00053330 | Hexagon nut | 3 | |
| 19 | 00053710 | Washer | 8 | |
| 20 | 00052620 | Fillister-head screw | 4 | |
| 21 | 00053080 | Hexagon screw | 2 | |
| 22 | 00053020 | Hexagon screw | 1 | |
| 23 | 01132640 | Edge protection | 1145mm | |
| 24 | 01133720 | cover | 1 | |
| 25 | 00051520 | Hexagon nut | 3 | |
| 26 | 00135120 | Washer | 3 | |
| 27 | 00046500 | Hex. Nut | 4 | |
| 28 | 00053850 | Spring washer | 4 | |
| 29 | 00744670 | Single clamp | 2 | |
| 30 | 00731550 | Fillister-head screw | 4 | |
| 31 | 00535780 | Fillister-head screw | 3 | |
| 32 | 00780710 | Socket | 5 | |
| 33 | 01132660 | Relay | 1 | K3:Time relay, opening delay |
| 34 | 01133730 | relay | 1 | K4: Filter monitoring |
| 35 | 01133180 | Relay | 1 | K5: Impulse relay shaking |
| 36 | 01018100 | Housing | 3 | |

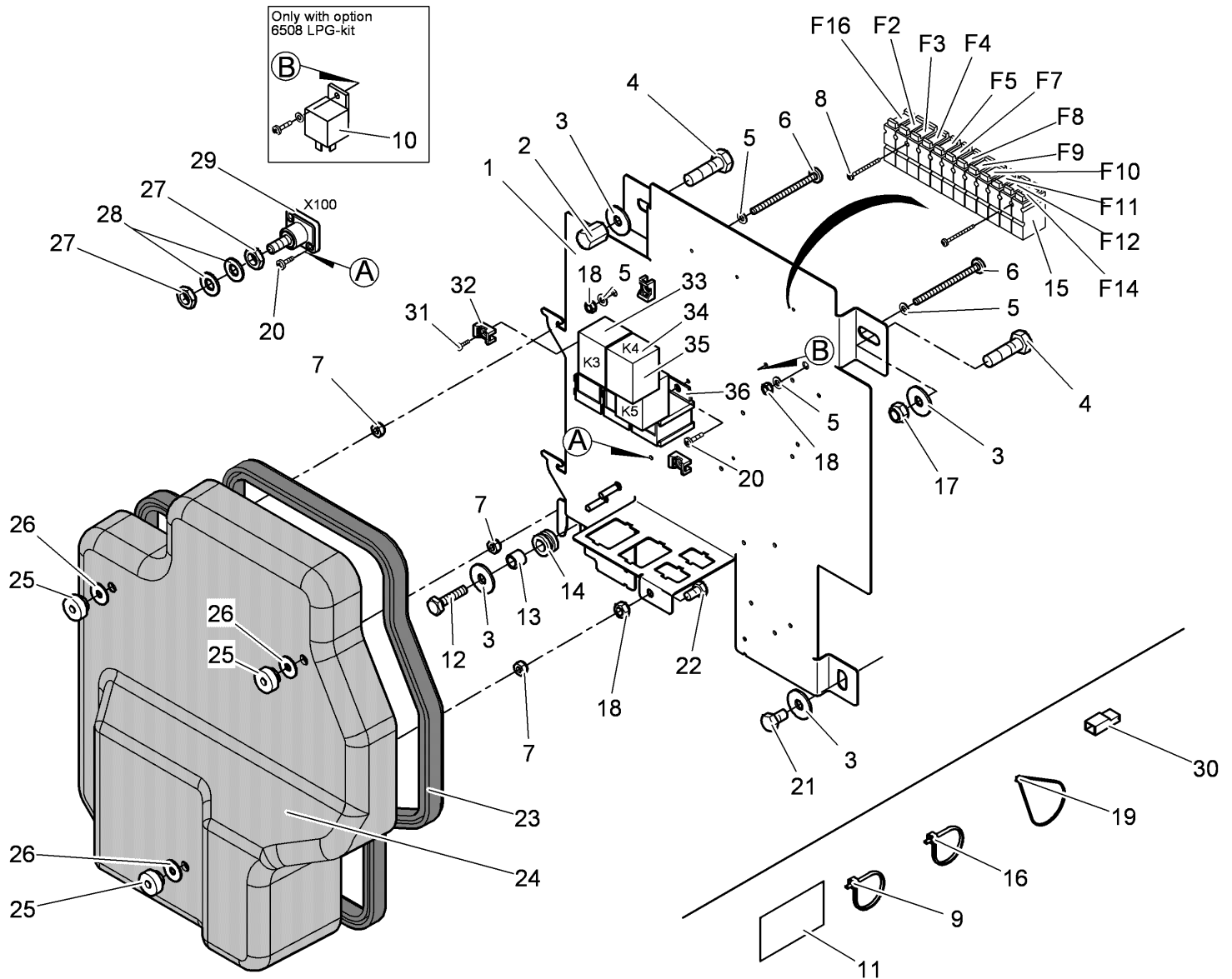
Electronical box (until appr. 14.05.2008) (97092043BT11)



Electronical box (until appr. 14.05.2008) (97092043BT11)

| Item | Part number | Description | Qty. | Remarks |
|------|-------------|-------------|------|---|
| F2 | 00500360 | Fuse link | 1 | Pre-fuse UBat switched |
| F3 | 00906120 | Fuse | 1 | Engine switch off, hourmeter, control panel indicators |
| F4 | 00906120 | Fuse | 1 | Control panel indicators, jolting control, front right lighting, right rear light |
| F5 | 00733630 | Fuse | 1 | Horn |
| F7 | 00733630 | Fuse | 1 | LPG (LPG equipment OPTION) |
| F8 | 00509550 | Fuse | 1 | Front left lighting, left rear light (lighting OPTION) |
| F9 | 00509550 | Fuse | 1 | Lifted up disposal controlling (6502.50 only) |
| F10 | 00733630 | Fuse | 1 | LPG (LPG equipment OPTION) |
| F11 | 00152060 | Fuse | 1 | Shaking motor |
| F12 | 00906120 | Fuse | 1 | Charge indicator |
| F14 | 00906120 | Fuse | 1 | Hydraulic motor lifted-up disposal (6502.50 only) |

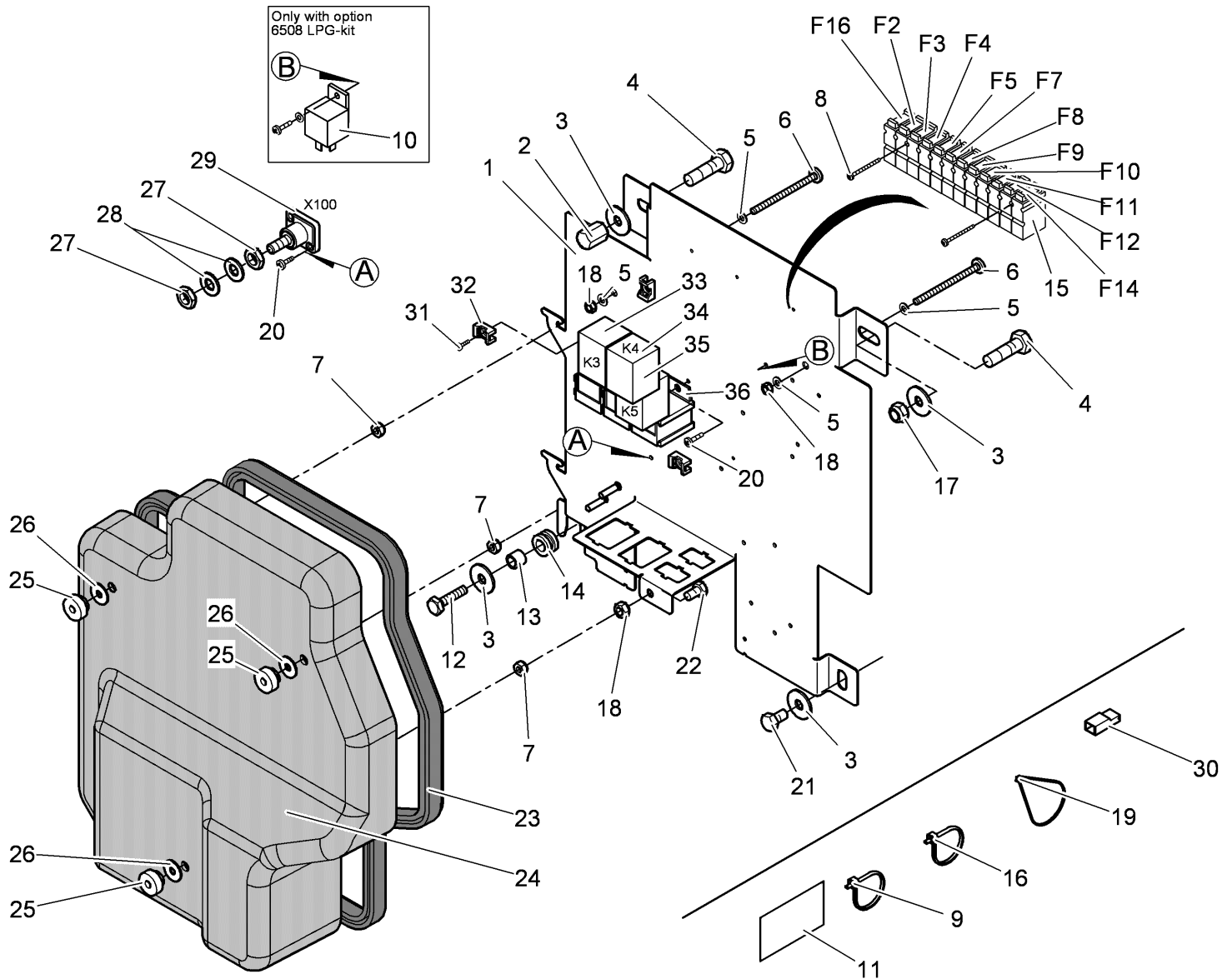
Electronical box (from appr. 15.05.2008) (97092043BT12)



Electronical box (from appr. 15.05.2008) (97092043BT12)

| Item | Part number | Description | Qty. | Remarks |
|------|-------------|-------------------|--------|--------------------------------|
| 1 | 01112120 | Sheet metal | 1 | |
| 2 | 00744340 | Hex. Nut | 1 | |
| 3 | 00042900 | Washer | 4 | |
| 4 | 00041600 | Hex.bolt | 2 | |
| 5 | 00053730 | Washer | 4 | |
| 6 | 00865300 | Lens head screw | 2 | |
| 7 | 00051520 | Hexagon nut | 3 | |
| 8 | 01110770 | Screw | 3 | |
| 9 | 00967760 | Cable tie | 33 | |
| 10 | 01073980 | relay LSS 230 | 1 | Only with option 6508 LPG-kit! |
| 11 | 03003000 | Transparency | 3 | |
| 12 | 00053110 | Hexagon screw | 1 | |
| 13 | 00733400 | Spacer sleeve | 1 | |
| 14 | 00555430 | Cable sleeve | 1 | |
| 15 | 00733650 | Fuse holder | 12 | |
| 16 | 00121010 | Cable tie | 25 | |
| 17 | 00051510 | Hexagon nut | 1 | |
| 18 | 00053330 | Hexagon nut | 3 | |
| 19 | 00121150 | Cable tie | 25 | |
| 20 | 01112160 | Screw | 5 | |
| 21 | 00053080 | Hexagon screw | 1 | |
| 22 | 00154070 | Hex.bolt | 1 | |
| 23 | 01132640 | Edge protection | 1150mm | |
| 24 | 01133720 | cover | 1 | |
| 25 | 00903210 | Knurled nut | 3 | |
| 26 | 00135120 | Washer | 3 | |
| 27 | 00046500 | Hex. Nut | 2 | |
| 28 | 00053850 | Spring washer | 4 | |
| 29 | 00744670 | Single clamp | 2 | |
| 30 | 01133740 | protection sleeve | 2 | |
| 31 | 01110570 | Screw | 3 | |
| 32 | 00780710 | Socket | 5 | |
| 33 | 01132660 | Relay | 1 | K3:Time relay, opening delay |
| 34 | 01133730 | relay | 1 | K4: Filter monitoring |
| 35 | 01133180 | Relay | 1 | K5: Impulse relay shaking |
| 36 | 01018100 | Housing | 3 | |

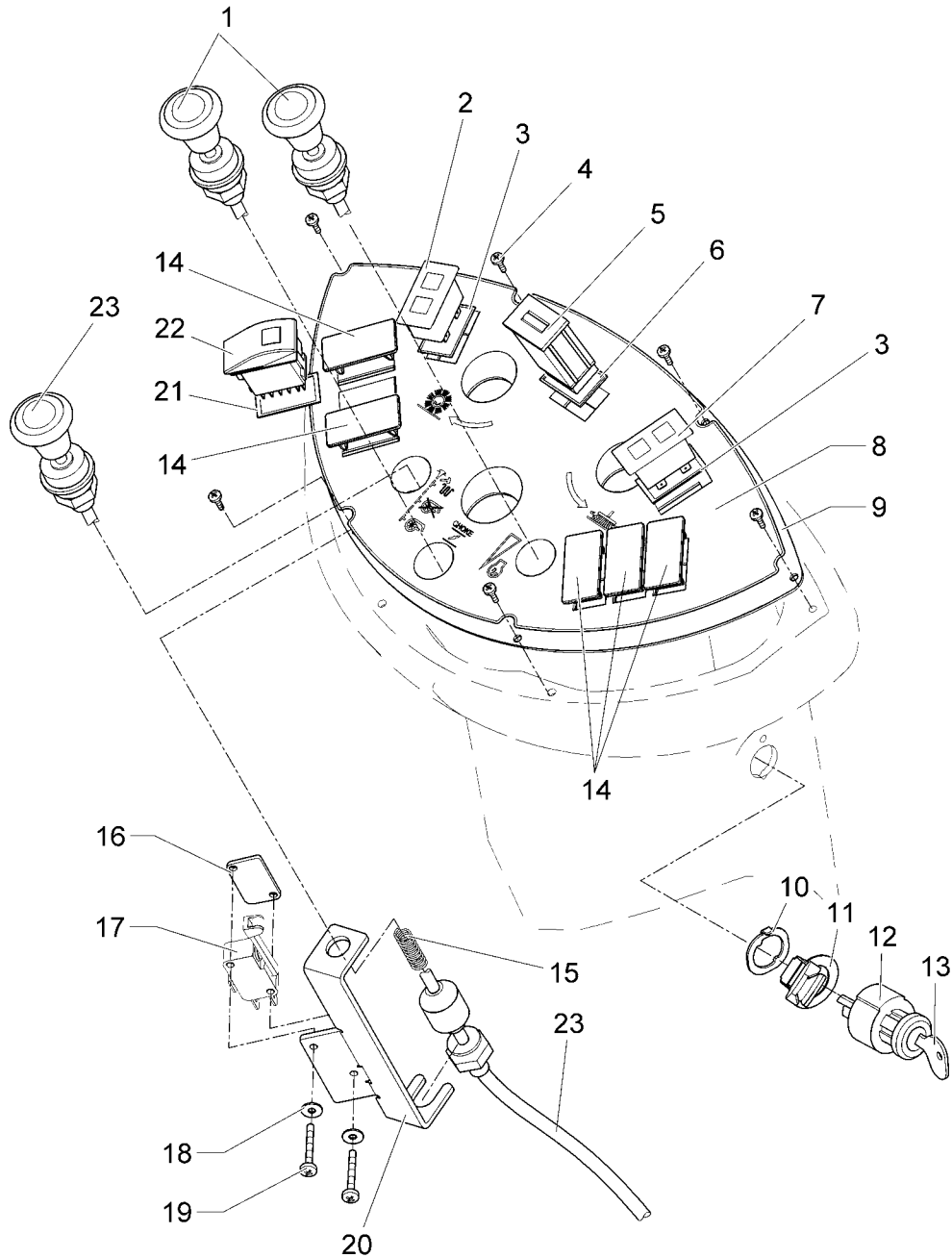
Electronical box (from appr. 15.05.2008) (97092043BT12)



Electronical box (from appr. 15.05.2008) (97092043BT12)

| Item | Part number | Description | Qty. | Remarks |
|------|-------------|---------------------|------|---|
| F2 | 00500360 | Fuse link | 1 | Pre-fuse UBat switched |
| F3 | 00906120 | Fuse | 1 | Engine switch off, hourmeter, control panel indicators |
| F4 | 00906120 | Fuse | 1 | Control panel indicators, jolting control, front right lighting, right rear light |
| F5 | 00733630 | Fuse | 1 | Horn |
| F7 | 00733630 | Fuse | 1 | LPG (LPG equipment OPTION) |
| F8 | 00509550 | Fuse | 1 | Front left lighting, left rear light (lighting OPTION) |
| F9 | 00509550 | Fuse | 1 | Lifted up disposal controlling (6502.50 only) |
| F10 | 00733630 | Fuse | 1 | LPG (LPG equipment OPTION) |
| F11 | 00152060 | Fuse | 1 | Shaking motor |
| F12 | 00906120 | Fuse | 1 | Charge indicator |
| F14 | 00906120 | Fuse | 1 | Hydraulic motor lifted-up disposal (6502.50 only) |
| F16 | XXXXXXXX | no part-No. til yet | 1 | Fuse reserve |

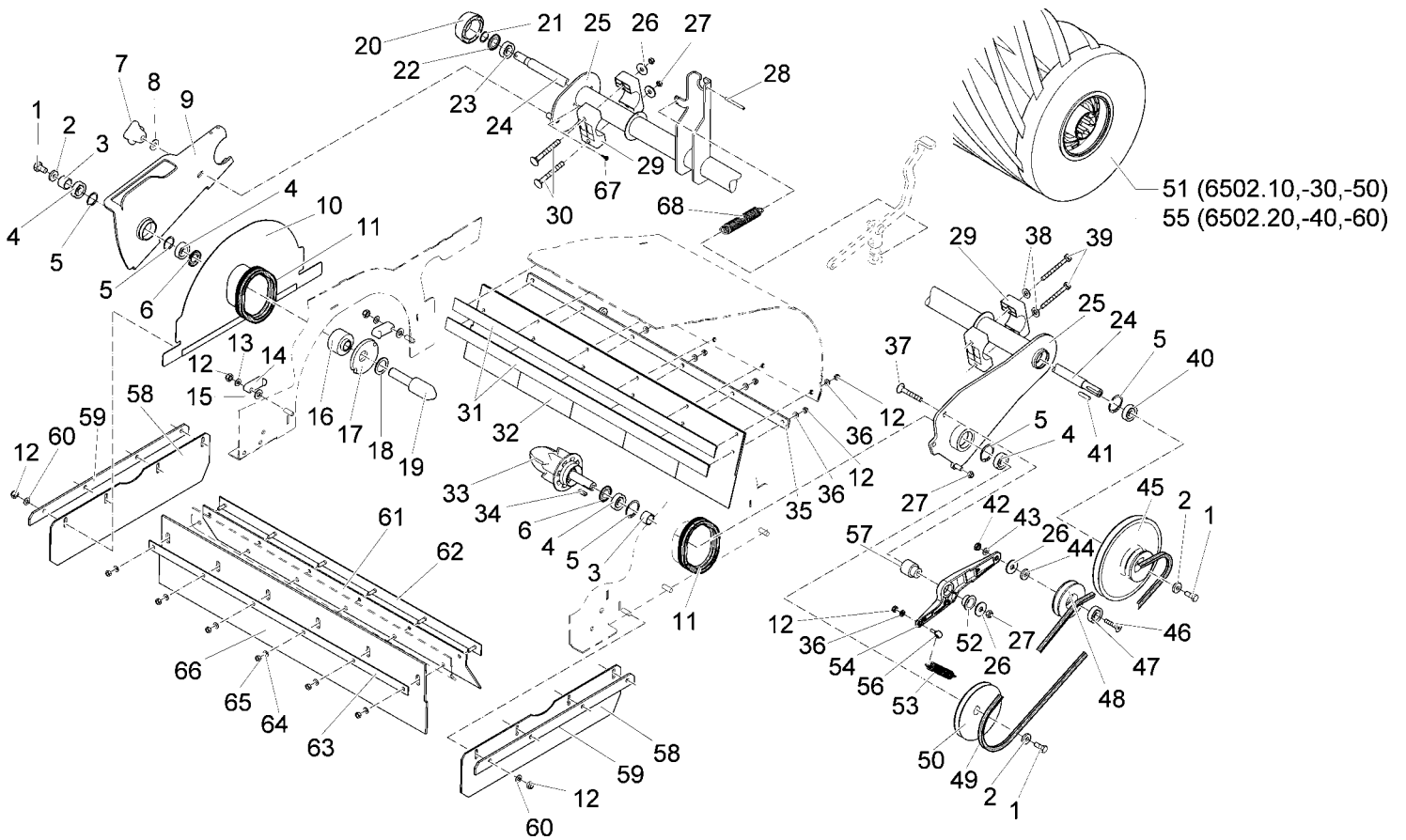
Control panel (97081129)



Control panel (97081129)

| Item | Part number | Description | Qty. | Remarks |
|------|-------------|-------------------------------------|------|---------|
| 1 | 01133500 | Bowden cable | 2 | |
| 2 | 01133220 | Indicator lamp shake/blower | 1 | |
| 3 | 01131640 | Gasket control-light | 2 | |
| 4 | 00052620 | Fillister-head screw | 6 | |
| 5 | 01131630 | Hour meter | 1 | |
| 6 | 01092720 | Gasket for hour meter | 1 | |
| 7 | 01133230 | Indicator lamp brake/charge control | 1 | |
| 8 | 01133240 | Control panel foil | 1 | |
| 9 | 01133250 | Control panel plate | 1 | |
| 10 | 01133260 | Lock washer | 1 | |
| 11 | 00538180 | Hinged cover | 1 | |
| 12 | 00136950 | Starting lock | 1 | |
| 13 | 00928330 | Key blank | 1 | |
| 14 | 01132930 | Cap | 5 | |
| 15 | 00902200 | Pressure spring | 1 | |
| 16 | 01074840 | Thread base plate | 1 | |
| 17 | 00975510 | Micro switch | 1 | |
| 18 | 00747400 | Washer | 2 | |
| 19 | 00955220 | Fillister-head screw | 2 | |
| 20 | 03003450 | Plate | 1 | |
| 21 | 01132960 | Switch gasket | 1 | |
| 22 | 01132970 | Switch horn | 1 | |
| 23 | 01131520 | Actuating cable | 1 | |

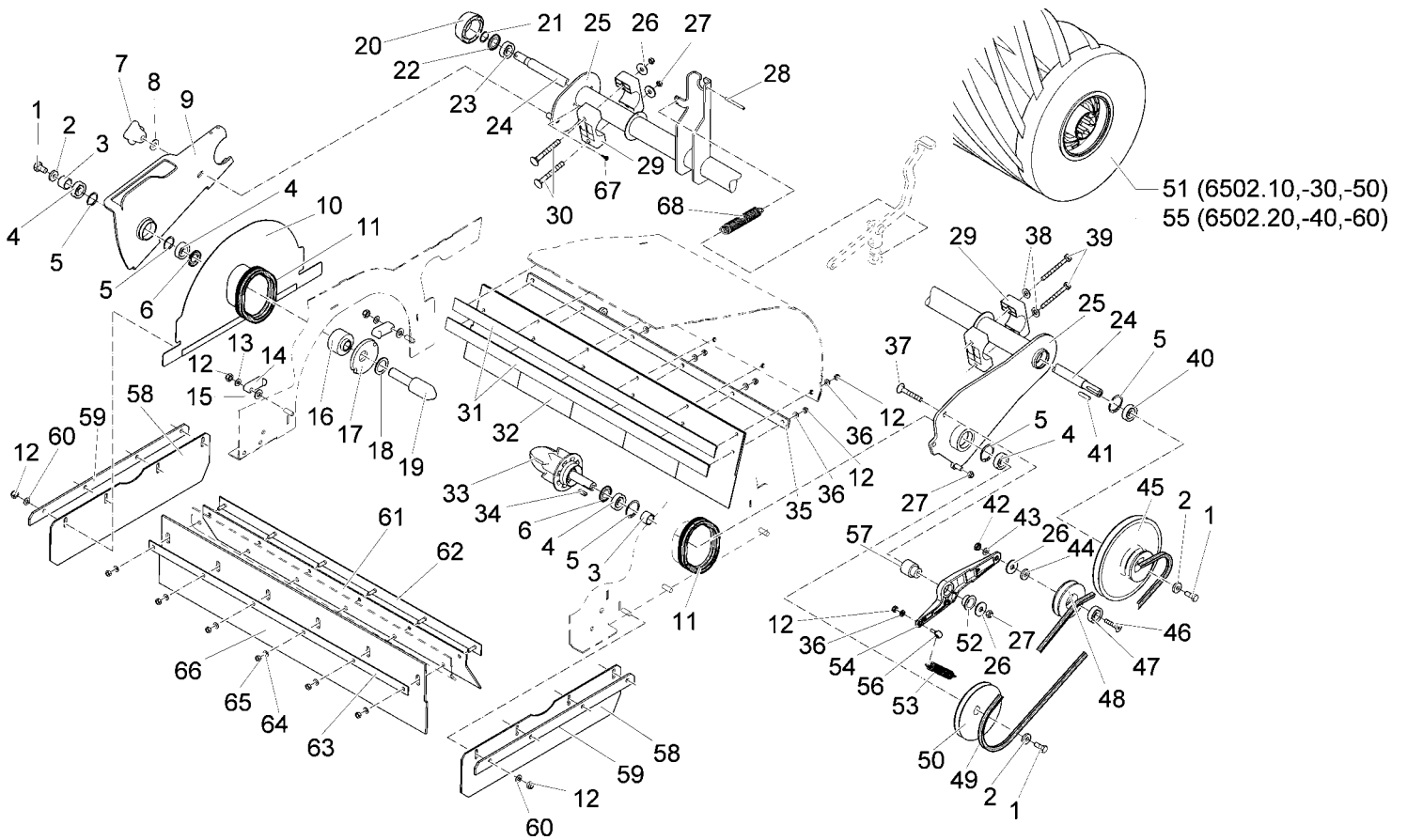
Group of main sweeper roller (97077192-1)



Group of main sweeper roller (97077192-1)

| Item | Part number | Description | Qty. | Remarks |
|------|-------------|---------------------------|-------|---------|
| 1 | 00053080 | Hexagon screw | 3 | |
| 2 | 00695300 | Washer | 3 | |
| 3 | 00509180 | sleeve | 2 | |
| 4 | 00106300 | Deep groove ball bearing | 4 | |
| 5 | 00101660 | Retaining ring | 5 | |
| 6 | 00102410 | Ring | 2 | |
| 7 | 01179360 | Star handle yellow | 1 | |
| 8 | 00740290 | Detent edged washer | 1 | |
| 9 | 01130830 | Brush rocker, L.H. | 1 | |
| 10 | 01130840 | Side shield | 1 | |
| 11 | 00681570 | Edge protection | 620mm | |
| 12 | 00051520 | Hexagon nut | 25 | |
| 13 | 00053840 | Spring washer | 2 | |
| 14 | 00968190 | Toggle | 2 | |
| 15 | 00053750 | Washer | 1 | |
| 16 | 01130850 | Gasket | 1 | |
| 17 | 01130860 | Flexible washer | 1 | |
| 18 | 00135560 | Supporting ring | 1 | |
| 19 | 01130870 | Carrier | 1 | |
| 20 | 01130880 | Centering brush | 1 | |
| 21 | 00022340 | Retaining ring | 1 | |
| 22 | 00104480 | Ring | 1 | |
| 23 | 00706360 | Deep groove ball bearing | 1 | |
| 24 | 01130890 | Shaft | 1 | |
| 25 | 03003310 | Torque shaft | 1 | |
| 26 | 00042900 | Washer | 4 | |
| 27 | 00051510 | Hexagon nut | 4 | |
| 28 | 00861020 | Dowel pin | 1 | |
| 29 | 01130610 | Bearing | 4 | |
| 30 | 01130900 | Cup head square neck bolt | 2 | |
| 31 | 01130910 | Sheet metal | 2 | |
| 32 | 01130800 | Brush apron, front | 1 | |
| 33 | 01130920 | Drag element | 1 | |
| 34 | 00054260 | Feather key | 1 | |
| 35 | 01130930 | Sheet metal | 1 | |
| 36 | 00053730 | Washer | 12 | |

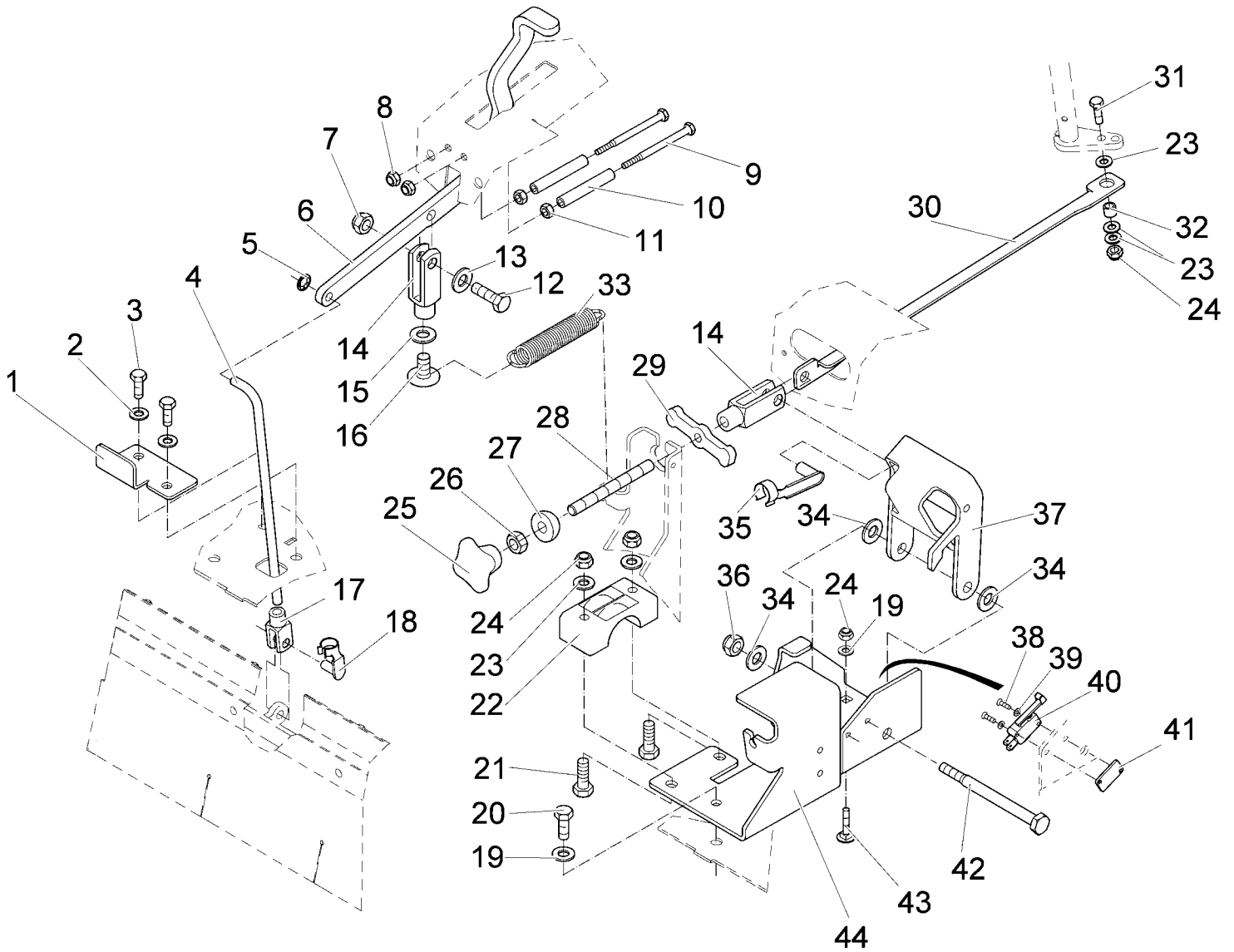
Group of main sweeper roller (97077192-1)



Group of main sweeper roller (97077192-1)

| Item | Part number | Description | Qty. | Remarks |
|------|-------------|---------------------------|------|---------------------|
| 37 | 01130940 | Cup head square neck bolt | 1 | |
| 38 | 00740080 | Washer | 2 | |
| 39 | 00557600 | Hex.bolt | 2 | |
| 40 | 00538360 | Deep groove ball bearing | 1 | |
| 41 | 00107380 | Feather key | 1 | |
| 42 | 00046500 | Hex. Nut | 1 | |
| 43 | 00740310 | Washer | 1 | |
| 44 | 01130950 | Bushing | 1 | |
| 45 | 01130960 | Drive belt pulley | 1 | |
| 46 | 00509000 | Countersunk screw | 1 | |
| 47 | 00126330 | Deep groove ball bearing | 1 | |
| 48 | 01130970 | Pulley | 1 | |
| 49 | 01130980 | Narrow drive belt | 1 | |
| 50 | 01130990 | Belt pulley | 1 | |
| 51 | 99651100 | Spare main broom PA | 1 | for 6502.10,-30,-50 |
| 52 | 01130470 | Slide bearing bush | 1 | |
| 53 | 01131000 | Pull spring | 1 | |
| 54 | 01113820 | Idler arm | 1 | |
| 55 | 99651000 | Spare main broom PES | 1 | for 6502.20,-40,-60 |
| 56 | 01111020 | Eye bolt | 1 | |
| 57 | 01131030 | Bolt | 1 | |
| 58 | 01130820 | Brush apron | 2 | |
| 59 | 01131050 | Strip | 2 | |
| 60 | 00053730 | Washer | 8 | |
| 61 | 01131040 | Brush apron, rear | 1 | |
| 62 | 01130910 | Sheet metal | 1 | |
| 63 | 00243450 | Fitting strip | 1 | |
| 64 | 00740280 | Washer | 6 | |
| 65 | 00053330 | Hexagon nut | 6 | |
| 66 | 01130810 | Brush apron, rear | 1 | |
| 67 | 00961490 | Self tapping screw | 2 | |
| 68 | 01135540 | Tension spring | 1 | |

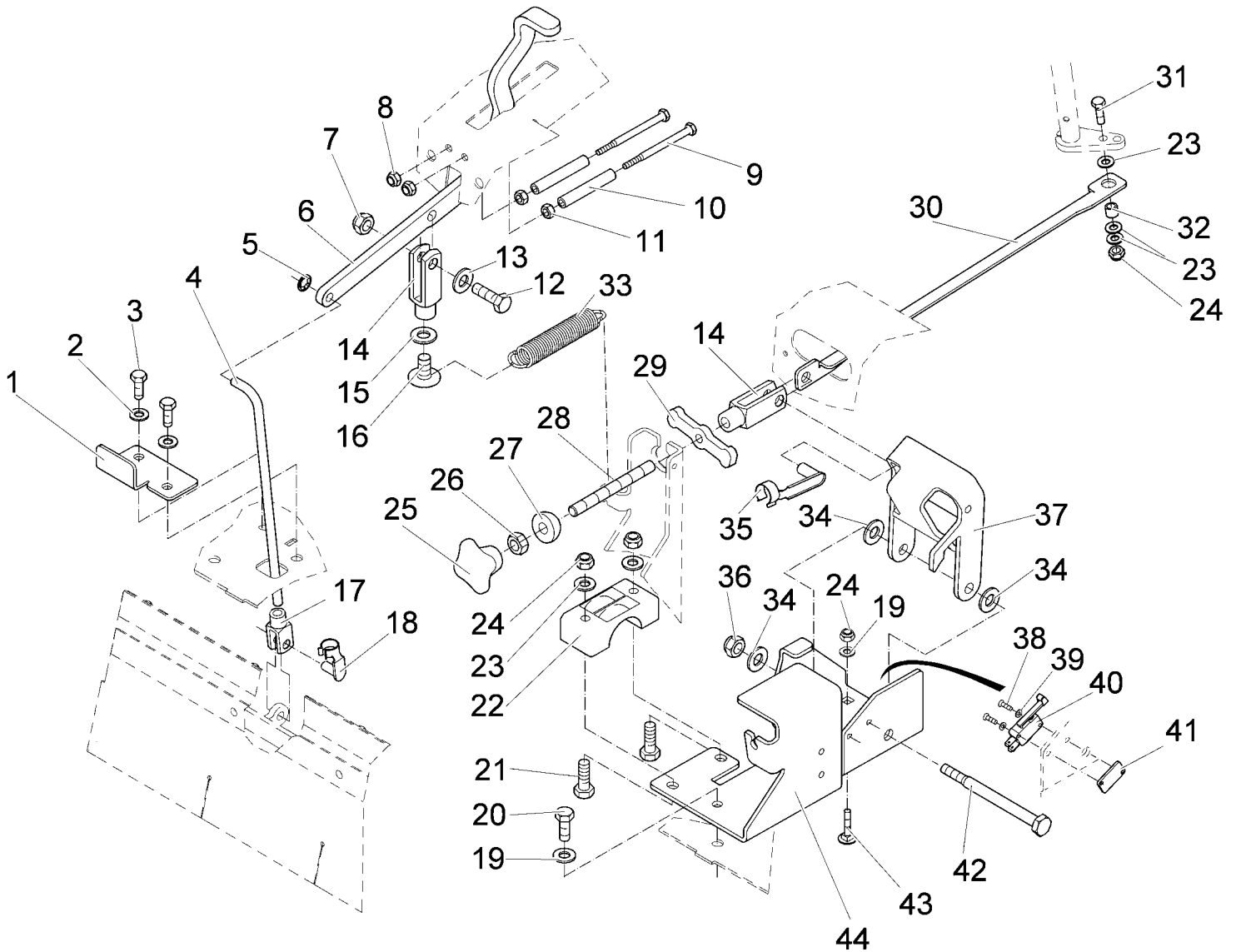
Manipulation for brush apron - Lifter for sweeping (97077192-2)



Manipulation for brush apron - Lifter for sweeping (97077192-2)

| Item | Part number | Description | Qty. | Remarks |
|------|-------------|---------------------|-------|---------|
| 1 | 01131320 | Stop angel | 1 | |
| 2 | 00740090 | Detent edged washer | 2 | |
| 3 | 00053080 | Hexagon screw | 2 | |
| 4 | 01131330 | Bar | 1 | |
| 5 | 00854420 | Thrust washer | 1 | |
| 6 | 01131340 | Pedal bar | 1 | |
| 7 | 00051500 | Hexagon nut | 1 | |
| 8 | 00051520 | Hexagon nut | 2 | |
| 9 | 00526320 | Hex.bolt | 2 | |
| 10 | 01064890 | Hose | 140mm | |
| 11 | 00053330 | Hexagon nut | 2 | |
| 12 | 00123690 | Hex.bolt | 1 | |
| 13 | 00130290 | Adjusting washer | 1 | |
| 14 | 00925430 | Fork yoke | 2 | |
| 15 | 00740290 | Detent edged washer | 1 | |
| 16 | 01131350 | Lens head screw | 1 | |
| 17 | 00151440 | Fork yoke | 1 | |
| 18 | 00151400 | Bolt | 1 | |
| 19 | 00740080 | Washer | 2 | |
| 20 | 00053090 | Hexagon screw | 1 | |
| 21 | 00041600 | Hex.bolt | 2 | |
| 22 | 01130610 | Bearing | 1 | |
| 23 | 00053750 | Washer | 5 | |
| 24 | 00051510 | Hexagon nut | 4 | |
| 25 | 01179360 | Star handle yellow | 1 | |
| 26 | 01050160 | Hex. Nut | 1 | |
| 27 | 01131360 | Tap | 1 | |
| 28 | 01131370 | Spindle | 1 | |
| 29 | 01131380 | Countering latch | 1 | |
| 30 | 01131390 | Draw angel | 1 | |
| 31 | 00054690 | Hexagon screw | 1 | |
| 32 | 00733400 | Spacer sleeve | 1 | |
| 33 | 01135540 | Tension spring | 1 | |
| 34 | 00053760 | Washer | 4 | |
| 35 | 00925420 | Bolt | 1 | |
| 36 | 00132880 | Hexagon nut | 1 | |

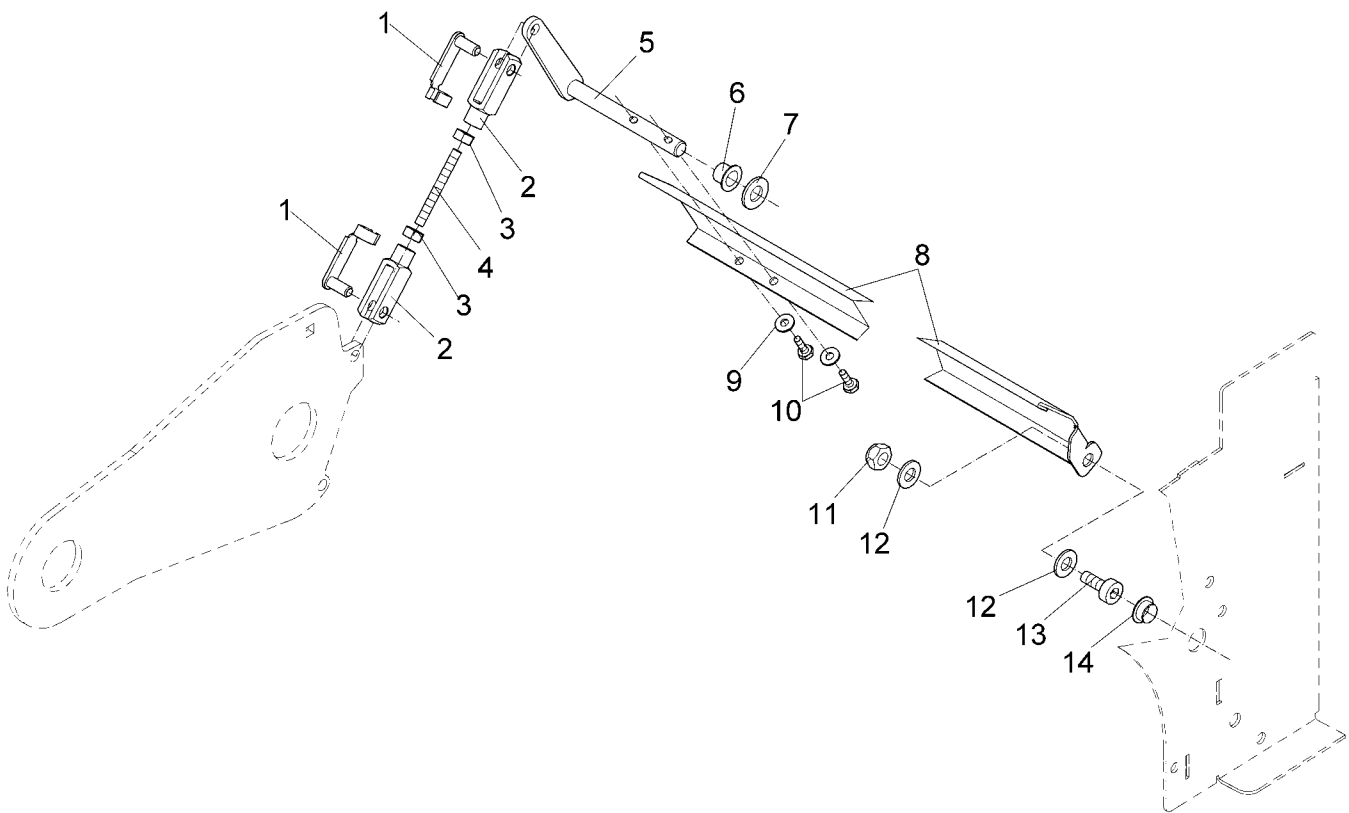
Manipulation for brush apron - Lifter for sweeping (97077192-2)



Manipulation for brush apron - Lifter for sweeping (97077192-2)

| Item | Part number | Description | Qty. | Remarks |
|------|-------------|----------------------|------|---------|
| 37 | 03003400 | Angel | 1 | |
| 38 | 00955220 | Fillister-head screw | 2 | |
| 39 | 00747400 | Washer | 2 | |
| 40 | 00975510 | Micro switch | 1 | |
| 41 | 01074840 | Thread base plate | 1 | |
| 42 | 00109460 | Hex.bolt | 1 | |
| 43 | 00878410 | Screw | 2 | |
| 44 | 03003410 | Retainer | 1 | |

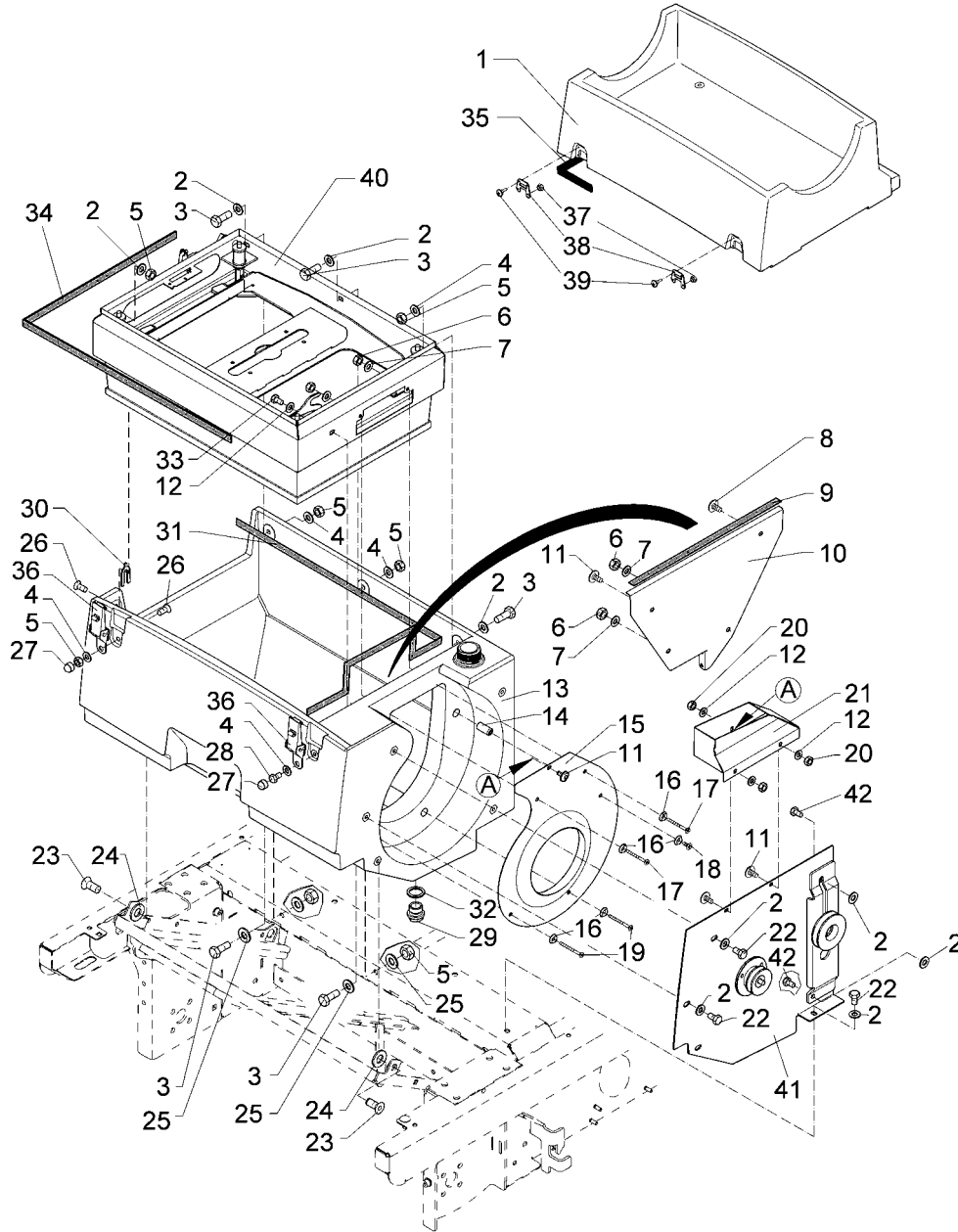
Broom wear compensation (97079263)



Broom wear compensation (97079263)

| Item | Part number | Description | Qty. | Remarks |
|------|-------------|---------------------|------|---------|
| 1 | 00706030 | Bolt | 2 | |
| 2 | 00027110 | Fork yoke | 2 | |
| 3 | 00053350 | Hexagon nut | 2 | |
| 4 | 00902600 | Threaded bolt | 1 | |
| 5 | 03004890 | lever | 1 | |
| 6 | 01071440 | Plain bearing bush | 1 | |
| 7 | 00053770 | Washer | 1 | |
| 8 | 03004900 | plate | 1 | |
| 9 | 00730940 | Detent edged washer | 2 | |
| 10 | 00053010 | Hex.bolt | 2 | |
| 11 | 00132880 | Hexagon nut | 1 | |
| 12 | 00053760 | Washer | 2 | |
| 13 | 00108590 | Socket head screw | 1 | |
| 14 | 01055290 | Plain bearing bush | 1 | |

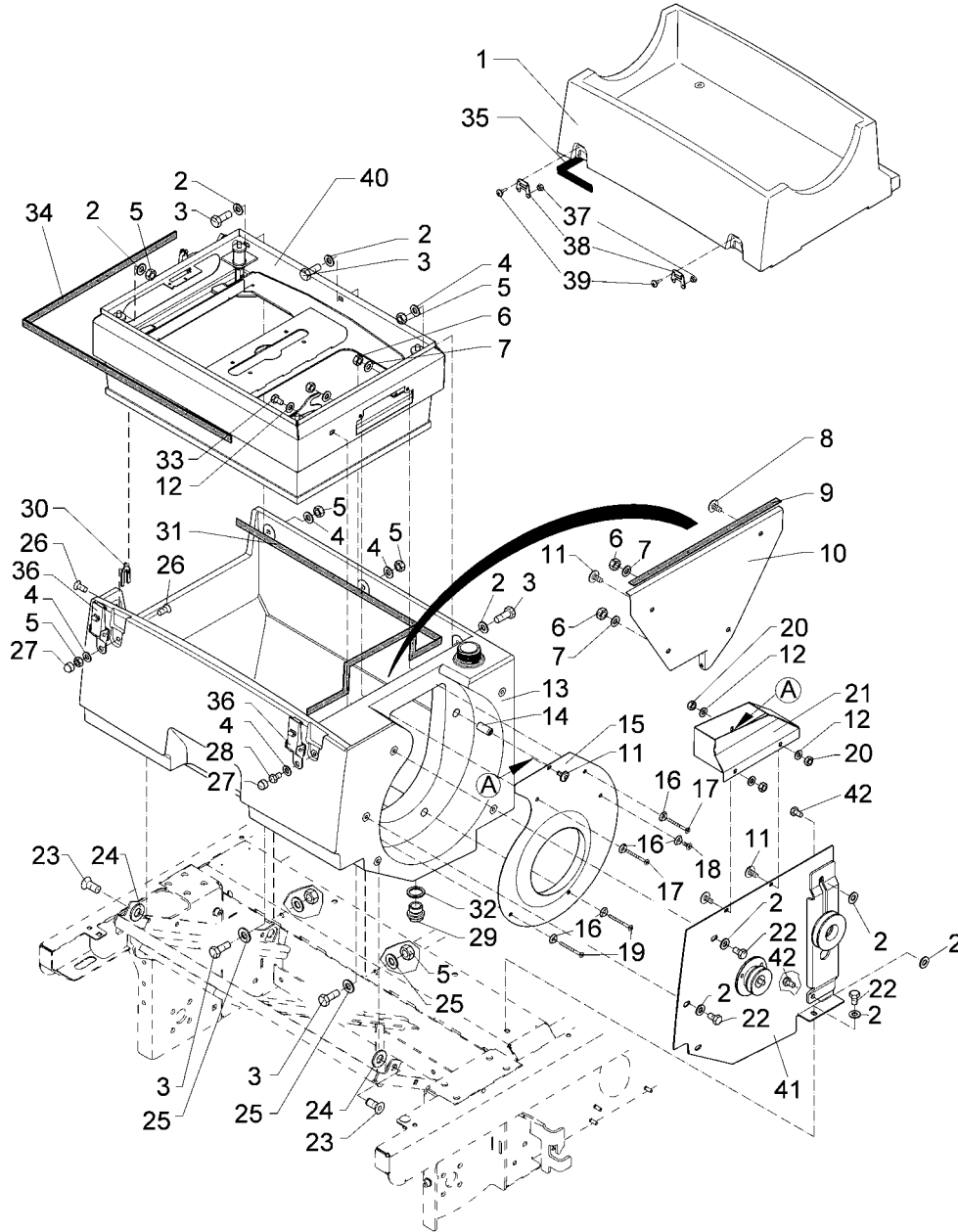
Dust extraction (97086011)



Dust extraction (97086011)

| Item | Part number | Description | Qty. | Remarks |
|------|-------------|----------------------------|--------|---------|
| 1 | 01133080 | Filter cover red | 1 | |
| 2 | 00740090 | Detent edged washer | 9 | |
| 3 | 00133700 | Hexagon screw | 5 | |
| 4 | 00053750 | Washer | 5 | |
| 5 | 00053350 | Hexagon nut | 5 | |
| 6 | 00053330 | Hexagon nut | 4 | |
| 7 | 00740280 | Washer | 4 | |
| 8 | 01092780 | Lens flange screw | 1 | |
| 9 | 00420290 | Gasket Tesamoll | 390mm | |
| 10 | 03003430 | Plate | 1 | |
| 11 | 01131450 | Filister head flange screw | 4 | |
| 12 | 00730940 | Detent edged washer | 4 | |
| 13 | 01131740 | Housing, cpl. | 1 | |
| 14 | 01131460 | Threaded bushing | 1 | |
| 15 | 01131470 | Nozzle | 1 | |
| 16 | 00157690 | Annular plate | 5 | |
| 17 | 00109500 | Countersunk screw | 2 | |
| 18 | 00871440 | Countersunk screw | 1 | |
| 19 | 00120130 | Countersunk screw | 2 | |
| 20 | 00135790 | Hexagon nut | 3 | |
| 21 | 01131480 | Air scoop | 1 | |
| 22 | 00864230 | Hex.bolt | 3 | |
| 23 | 00059080 | Countersunk screw | 2 | |
| 24 | 00070170 | Washer | 2 | |
| 25 | 00042900 | Washer | 2 | |
| 26 | 00903480 | Countersunk screw | 2 | |
| 27 | 00131610 | Lens cap | 2 | |
| 28 | 00151810 | Hexagon screw | 1 | |
| 29 | 00077890 | Screw plug | 1 | |
| 30 | 01131490 | Sheet metal | 2 | |
| 31 | 00420290 | Gasket Tesamoll | 1060mm | |
| 32 | 01063590 | Washer | 1 | |
| 33 | 00104500 | Hexagon screw | 1 | |
| 34 | 01130200 | Gasket | 940mm | |
| 35 | 00752350 | Edge protection | 1740mm | |
| 36 | 01133090 | Catch | 2 | |

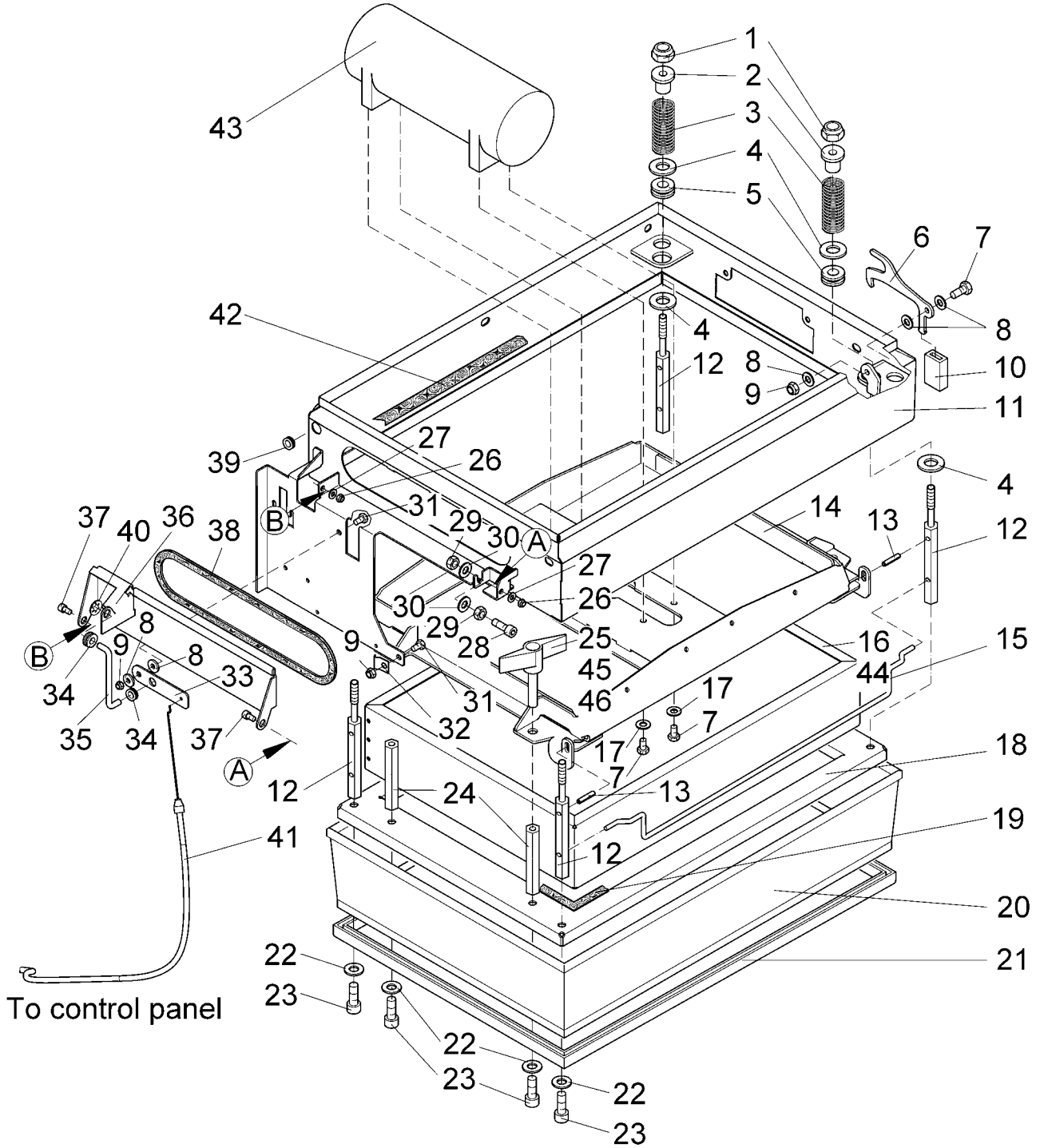
Dust extraction (97086011)



Dust extraction (97086011)

| Item | Part number | Description | Qty. | Remarks |
|------|-----------------|----------------------------|-------------|-----------|
| 37 | 00053320 | Hex. Nut | 4 | |
| 38 | 01133100 | Plate | 2 | |
| 39 | 00905520 | Screw | 8 | |
| 40 | 97076863 | Filter installation | Page | 72 |
| 41 | 97081889 | Fan bearing | Page | 76 |
| 42 | 00553690 | Hex.bolt | 2 | |

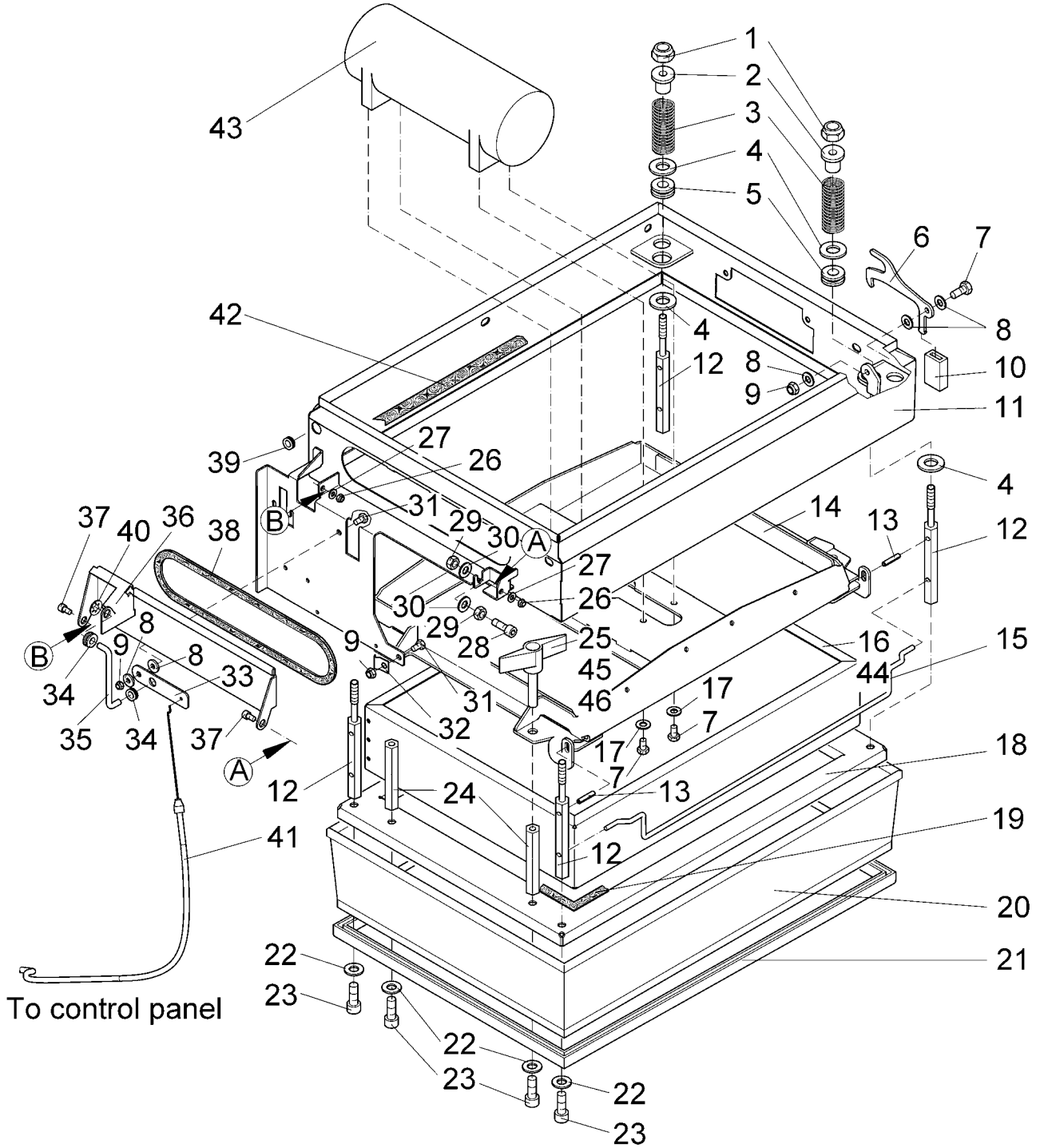
Filter installation (97076863)



Filter installation (97076863)

| Item | Part number | Description | Qty. | Remarks |
|------|-------------|------------------------|--------|---------|
| 1 | 00051510 | Hexagon nut | 4 | |
| 2 | 01131100 | Bolt | 4 | |
| 3 | 01074080 | Cyl.compression spring | 4 | |
| 4 | 00042900 | Washer | 8 | |
| 5 | 00027190 | Cable sleeve | 4 | |
| 6 | 01131110 | Sheet metal | 1 | |
| 7 | 00053020 | Hexagon screw | 5 | |
| 8 | 00135120 | Washer | 5 | |
| 9 | 00051520 | Hexagon nut | 3 | |
| 10 | 00451220 | Hose | 20mm | |
| 11 | 01131410 | Frame | 1 | |
| 12 | 01131120 | Hexagon | 4 | |
| 13 | 00045620 | Dowel pin | 2 | |
| 14 | 01131130 | Frame | 1 | |
| 15 | 01131140 | Handle | 1 | |
| 16 | 01130750 | Plate filter | 1 | |
| 17 | 00730940 | Detent edged washer | 4 | |
| 18 | 01131150 | U-panel | 1 | |
| 19 | 00420290 | Gasket Tesamoll | 1470mm | |
| 20 | 01131160 | Annular filter | 1 | |
| 21 | 00161240 | Edge protection | 1730mm | |
| 22 | 00740310 | Washer | 8 | |
| 23 | 00045540 | Cylinder head screw | 8 | |
| 24 | 01131170 | Hexagon | 4 | |
| 25 | 00905560 | Wing | 4 | |
| 26 | 01017660 | Hex. Nut | 2 | |
| 27 | 00958770 | Washer | 1 | |
| 28 | 00071450 | Socket head screw | 1 | |
| 29 | 00053350 | Hexagon nut | 2 | |
| 30 | 00053750 | Washer | 1 | |
| 31 | 00053010 | Hex.bolt | 2 | |
| 32 | 00534470 | Clamp | 1 | |
| 33 | 01131180 | Mounting link | 1 | |
| 34 | 01131190 | Grommet | 2 | |
| 35 | 01131200 | Push rod | 1 | |
| 36 | 01131210 | Air vent | 1 | |

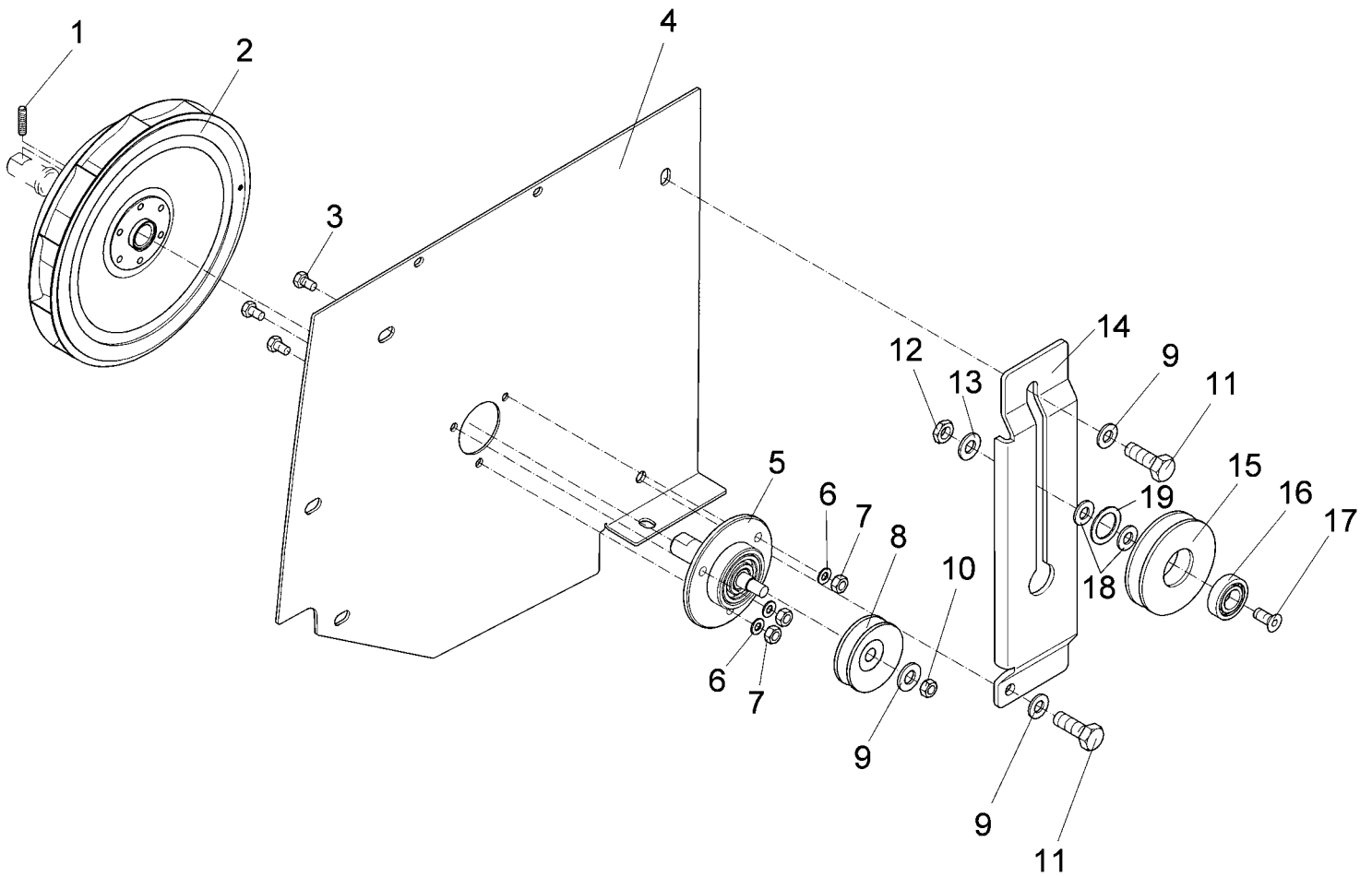
Filter installation (97076863)



Filter installation (97076863)

| Item | Part number | Description | Qty. | Remarks |
|------|-------------|-----------------------|--------|---------|
| 37 | 01131440 | Socket head cap screw | 2 | |
| 38 | 01075290 | Gasket TESAMOLL | 610mm | |
| 39 | 00740360 | Cable sleeve | 1 | |
| 40 | 00023290 | Thrust washer | 1 | |
| 41 | 01131520 | Actuating cable | 1 | |
| 42 | 00830680 | Hose | 1810mm | |
| 43 | 00622380 | Vibration motor | 1 | |
| 44 | 01133000 | Special plate filter | 1 | |
| 45 | 01130170 | Bush | 4 | |
| 46 | 01133210 | Locknut | 4 | |

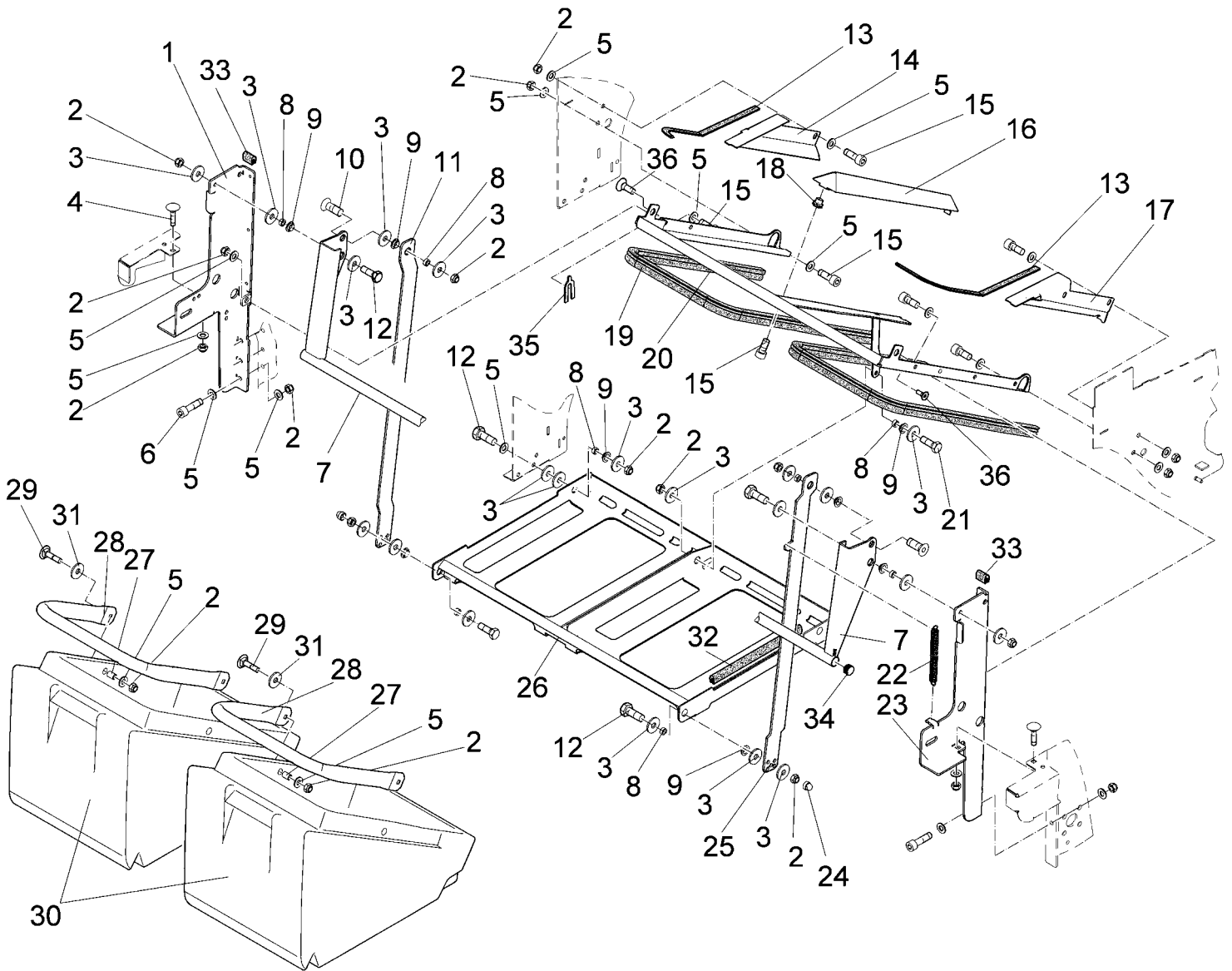
Fan bearing (97081889)



Fan bearing (97081889)

| Item | Part number | Description | Qty. | Remarks |
|------|-------------|--------------------------|------|---------|
| 1 | 00506780 | Threaded pin | 1 | |
| 2 | 01131220 | Rotating fan | 1 | |
| 3 | 00053010 | Hex.bolt | 3 | |
| 4 | 03003350 | Plate | 1 | |
| 5 | 01131230 | fan bearing | 1 | |
| 6 | 00740280 | Washer | 3 | |
| 7 | 00053330 | Hexagon nut | 3 | |
| 8 | 01131260 | Belt pulley | 1 | |
| 9 | 00740090 | Detent edged washer | 3 | |
| 10 | 00022330 | Hex. Nut | 1 | |
| 11 | 00553690 | Hex.bolt | 2 | |
| 12 | 00074710 | Hex. Nut | 1 | |
| 13 | 00740290 | Detent edged washer | 1 | |
| 14 | 01131270 | Sheet metal | 1 | |
| 15 | 01130970 | Pulley | 1 | |
| 16 | 00126330 | Deep groove ball bearing | 1 | |
| 17 | 00021800 | Countersunk screw | 1 | |
| 18 | 00053760 | Washer | 2 | |
| 19 | 00130290 | Adjusting washer | 1 | |

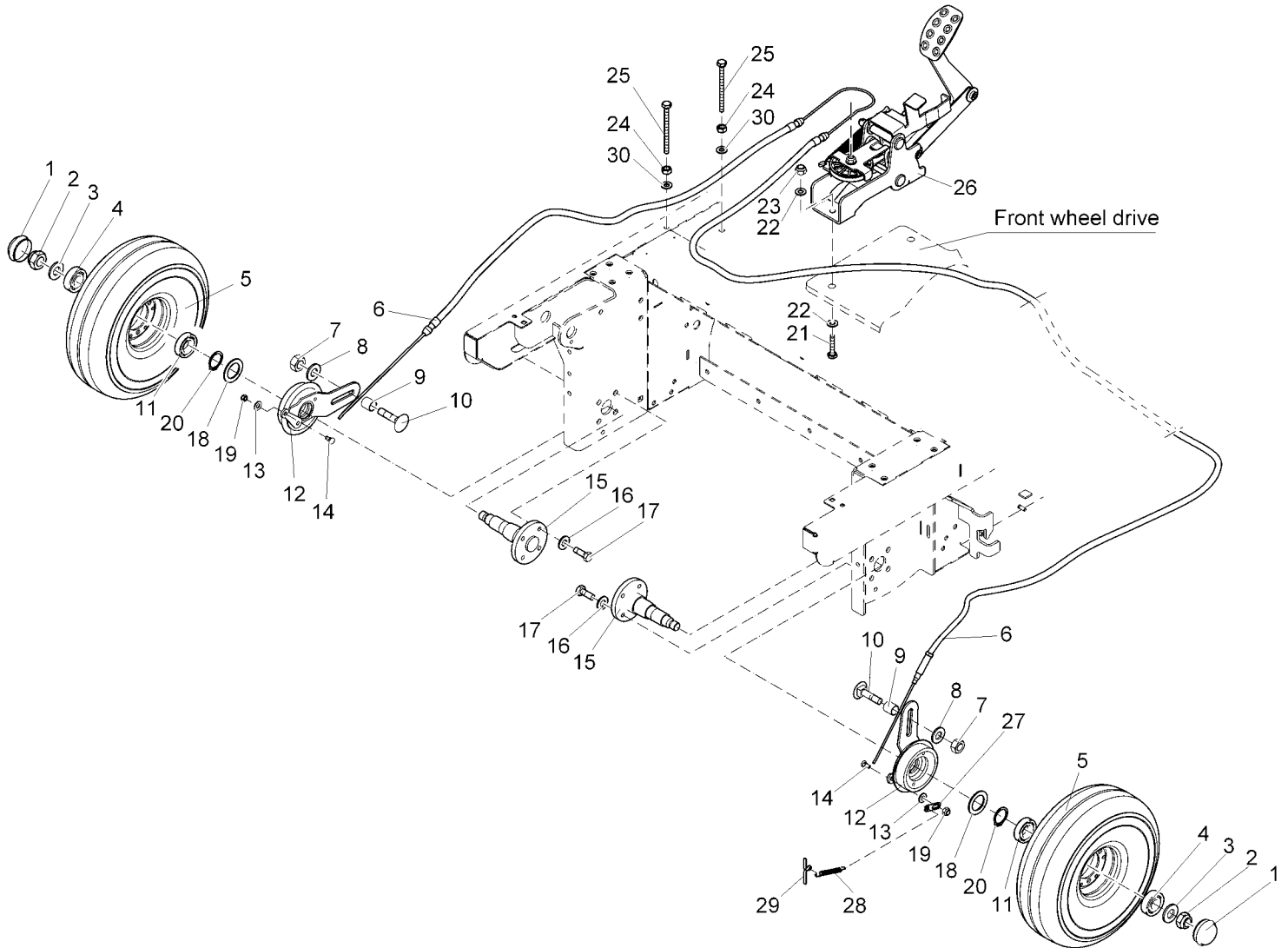
Dirt hopper - Dirt hopper lifter (97076822)



Dirt hopper - Dirt hopper lifter (97076822)

| Item | Part number | Description | Qty. | Remarks |
|------|-------------|---------------------|--------|---------------|
| 1 | 01130050 | Holder, L.H. | 1 | |
| 2 | 00051510 | Hexagon nut | 26 | |
| 3 | 00042900 | Washer | 24 | |
| 4 | 00878410 | Screw | 2 | |
| 5 | 00053750 | Washer | 37 | |
| 6 | 00103300 | Socket head screw | 6 | |
| 7 | 01130060 | Handle | 1 | |
| 8 | 01130070 | Bush | 9 | |
| 9 | 01130080 | Slide bearing bush | 9 | |
| 10 | 00101500 | Countersunk screw | 2 | |
| 11 | 01130090 | Sheet metal | 1 | |
| 12 | 00053100 | Hexagon screw | 6 | |
| 13 | 01130200 | Gasket | 1240mm | |
| 14 | 01130300 | Sheet metal L.H. | 1 | |
| 15 | 00045540 | Cylinder head screw | 11 | |
| 16 | 01130100 | Plate filter | 1 | |
| 17 | 01130310 | Sheet metal, R.H. | 1 | |
| 18 | 01130110 | Nut | 1 | |
| 19 | 00750430 | Edge protection | 2510mm | |
| 20 | 01130120 | Sealing plate | 1 | |
| 21 | 00077110 | Hexagon screw | 1 | |
| 22 | 01130130 | Pull spring | 1 | |
| 23 | 01130140 | Holder, R.H. | 1 | |
| 24 | 00131610 | Lens cap | 2 | |
| 25 | 01130150 | Sheet metal | 1 | |
| 26 | 01130160 | Plate filter | 1 | |
| 27 | 01130170 | Bush | 4 | |
| 28 | 01130180 | Handle | 2 | |
| 29 | 00078920 | Screw | 4 | |
| 30 | 01130190 | Litter hopper | 2 | |
| 31 | 00053770 | Washer | 4 | |
| 32 | 00161240 | Edge protection | 360mm | |
| 33 | 00161240 | Edge protection | 60mm | |
| 34 | XXXXXXXX | no part-No. til yet | 2 | 15590664 Plug |
| 35 | 01131490 | Sheet metal | 2 | |
| 36 | 00059080 | Countersunk screw | 2 | |

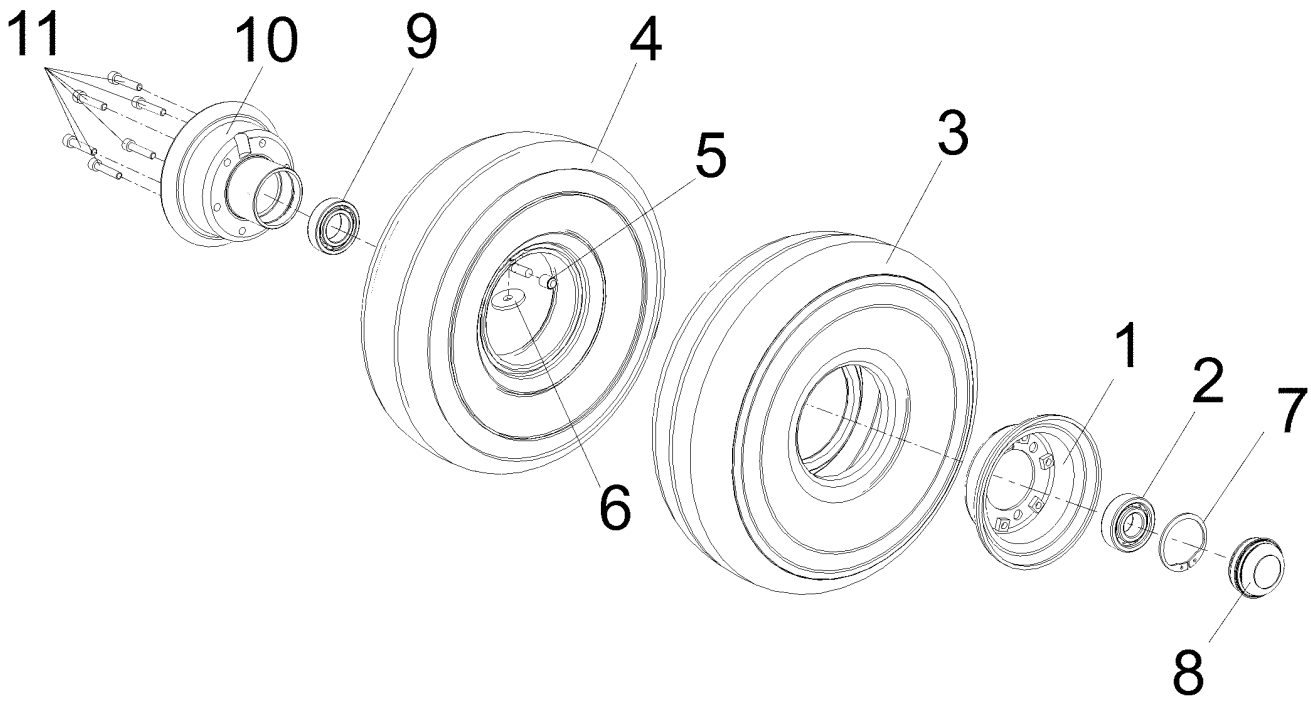
Rear wheels (air) - Brake (97077200)



Rear wheels (air) - Brake (97077200)

| Item | Part number | Description | Qty. | Remarks |
|------|-------------------------|--|-------------|-----------|
| 1 | 01131060 | Cap | 2 | |
| 2 | 00135350 | Hexagon nut | 2 | |
| 3 | 00053790 | Washer | 2 | |
| 4 | 00706370 | Deep groove ball bearing | 2 | |
| 5 | 01130770 | Rear wheel, air tyre (Available: No.: 01130770) | Page | 82 |
| 6 | 01130350 | Bowden cable for brake | 1 | |
| 7 | 00074710 | Hex. Nut | 2 | |
| 8 | 00053760 | Washer | 2 | |
| 9 | 01130780 | Bush | 2 | |
| 10 | 01130790 | Cup head square neck bolt | 2 | |
| 11 | 00281050 | Deep groove ball bearing | 2 | |
| 12 | 01131080 | Brake | 2 | |
| 13 | 00053730 | Washer | 2 | |
| 14 | 01133970 | clamping screw | 2 | |
| 15 | 01131090 | Axle with flange | 2 | |
| 16 | 00740290 | Detent edged washer | 8 | |
| 17 | 00021130 | Hex.bolt | 8 | |
| 18 | 01133960 | washer | 2 | |
| 19 | 00053330 | Hexagon nut | 2 | |
| 20 | 00863220 | Retaining ring | 2 | |
| 21 | 00054690 | Hexagon screw | 2 | |
| 22 | 00053750 | Washer | 4 | |
| 23 | 00051510 | Hexagon nut | 2 | |
| 24 | 00053350 | Hexagon nut | 4 | |
| 25 | 00074500 | Hex.bolt | 2 | |
| 26 | 97077358-6502-20 | Brake pedal | Page | 84 |
| 27 | 01133700 | mounting link | 1 | |
| 28 | 00853650 | Tension spring | 1 | |
| 29 | 00054890 | Cotter pin | 1 | |
| 30 | 00740090 | Detent edged washer | 2 | |

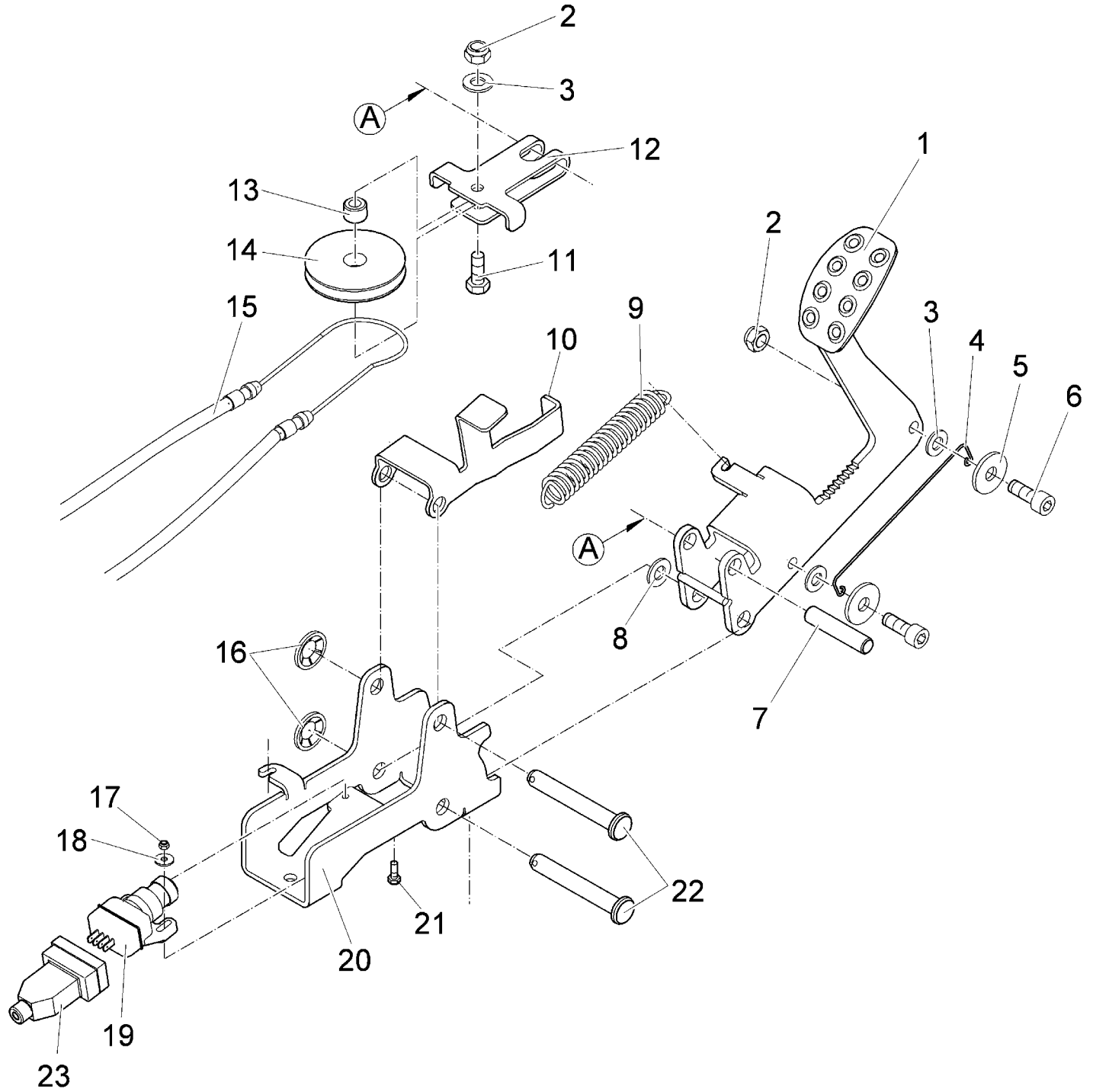
Rear wheel, air tyre (Available: No.: 01130770) (01130770)



Rear wheel, air tyre (Available: No.: 01130770) (01130770)

| Item | Part number | Description | Qty. | Remarks |
|------|-------------|--------------------------|------|---------|
| 1 | 01133010 | Rim half | 2 | |
| 2 | 00706370 | Deep groove ball bearing | 2 | |
| 3 | 01133040 | Tyre | 3 | |
| 4 | 01133050 | Tube | 3 | |
| 5 | 01133060 | Valve cap | 3 | |
| 6 | 00106050 | Rubber washer | 3 | |
| 7 | 00054230 | Retaining ring | 2 | |
| 8 | 01131060 | Cap | 2 | |
| 9 | 00281050 | Deep groove ball bearing | 2 | |
| 10 | 01132990 | Brake drum | 2 | |
| 11 | 00137020 | Cylinder head screw | 12 | |

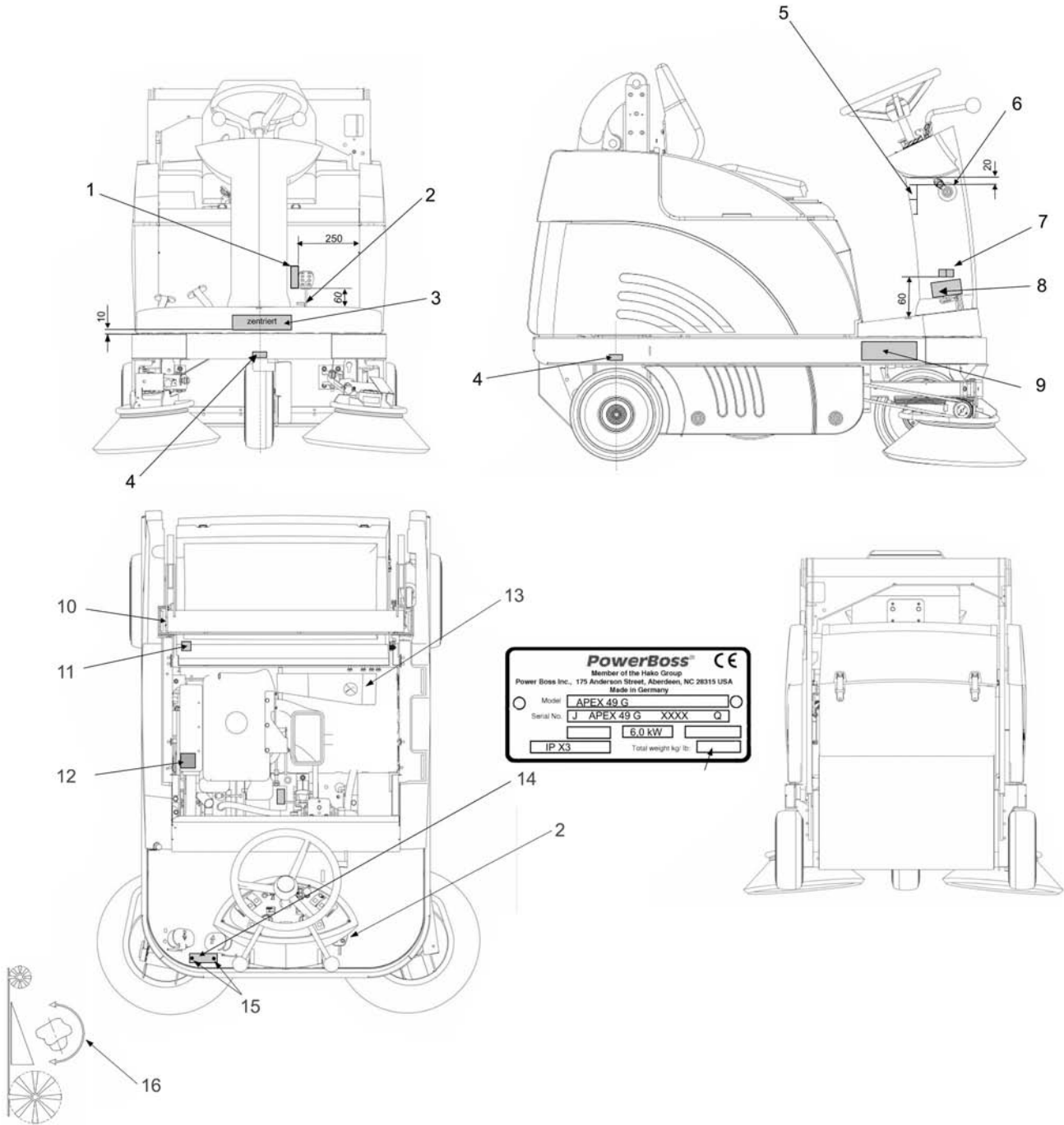
Brake pedal (97077358-6502-20)



Brake pedal (97077358-6502-20)

| Item | Part number | Description | Qty. | Remarks |
|------|-------------|------------------------|------|---------|
| 1 | 01130320 | Pedal brake | 1 | |
| 2 | 00051510 | Hexagon nut | 3 | |
| 3 | 00053750 | Washer | 3 | |
| 4 | 00854270 | Handle | 1 | |
| 5 | 00042900 | Washer | 2 | |
| 6 | 00124290 | Cylinder head screw | 2 | |
| 7 | 01130330 | Bolt | 1 | |
| 8 | 00555130 | Sealing ring | 1 | |
| 9 | 01055930 | Tension spring | 1 | |
| 10 | 01130340 | Barrier lever | 1 | |
| 11 | 00053110 | Hexagon screw | 1 | |
| 12 | 03003170 | Handle | 1 | |
| 13 | 00974400 | Bushing | 1 | |
| 14 | 00521270 | Roller | 1 | |
| 15 | 01130350 | Bowden cable for brake | 1 | |
| 16 | 00706180 | Thrust washer | 2 | |
| 17 | 00133830 | Hex. Nut | 2 | |
| 18 | 00557150 | Washer | 2 | |
| 19 | 00927610 | Switch | 1 | |
| 20 | 03003180 | Bracket | 1 | |
| 21 | 00108490 | Hex.bolt | 2 | |
| 22 | 00879630 | Bolt | 2 | |
| 23 | 00927630 | Cap | 1 | |

Labels (97090468)



Labels (97090468)

| Item | Part number | Description | Qty. | Remarks |
|------|-------------|------------------------------------|------|---------|
| 1 | 01131540 | Lable brush apron | 1 | |
| 2 | 01131550 | Lable brake | 1 | |
| 3 | 03008390 | Decal POWERBOSS | 1 | |
| 4 | 03003000 | Transparency | 3 | |
| 5 | 01071710 | Decal "Instruction manual" | 1 | |
| 6 | 01133920 | decal SYMBOL START | 1 | |
| 7 | 01131560 | Decal PARKING BRAKE | 1 | |
| 8 | 03008790 | Backing film | 1 | |
| 9 | 03008780 | Decal APEX 49 | 2 | |
| 10 | 01131590 | Decal ROTATING PARTS | 1 | |
| 11 | 01132710 | Decal HYDRAULIC OIL | 1 | |
| 12 | 01132720 | Decal HOT PARTS | 1 | |
| 13 | 01131570 | Lable high-pressure cleaner | 1 | |
| 14 | 03008410 | Type plate POWERBOSS | 1 | |
| 15 | 00504370 | Blind rivet | 2 | |
| 16 | 01133940 | decal ADJUSTABLE SWEEPER ROLLER | 1 | |

Warranty Information

Revision F
Effective November 1, 2008
PowerBoss Made Simple Industrial Limited Warranty

Minuteman International owner of PowerBoss warrants to the original purchaser/user that the product is free from defects in workmanship and materials under normal use. PowerBoss will, at its option, repair or replace without charge, parts that fail under normal use and service when operated and maintained in accordance with the applicable operation and instruction manuals. All warranty claims must be submitted through and approved by factory authorized repair stations.

This warranty does not apply to normal wear, or to items whose life is dependent on their use and care. Parts not manufactured by PowerBoss are covered by and subject to the warranties and/or guarantees of their manufacturers. Please contact Minuteman International for procedures in warranty claims against these manufacturers.

Special warning to purchaser -- Use of replacement parts not manufactured by PowerBoss or its designated licensees, will void all warranties expressed or implied. A potential health hazard exists without original equipment replacement.

All warranted items become the sole property of Minuteman International or PowerBoss or its original manufacturer, whichever the case may be.

PowerBoss disclaims any implied warranty, including the warranty of merchantability and the warranty of fitness for a particular purpose. PowerBoss assumes no responsibility for any special, incidental or consequential damages.

This limited warranty is applicable only in the U.S.A. and Canada, and is extended only to the original user/purchaser of this product. Customers outside the U.S.A. and Canada should contact their local distributor for export warranty policies. PowerBoss is not responsible for costs or repairs performed by persons other than those specifically authorized by PowerBoss. This warranty does not apply to damage from transportation, alterations by unauthorized persons, misuse or abuse of the equipment, use of non-compatible chemicals, or damage to property, or loss of income due to malfunctions of the product. If a difficulty develops with this machine, you should contact the dealer from whom it was purchased.

This warranty gives you specific legal rights, and you may have other rights, which vary from state to state. Some states do not allow the exclusion or limitation of special, incidental or consequential damages, or limitations on how long an implied warranty lasts, so the above exclusions and limitations may not apply to you.

| | Travel* | Labor | Parts | Engine | Extended Warranty | Costs |
|----------------------|-------------|------------|----------------------|------------------------|---|-------|
| Walk behinds | | | | | | |
| Battery sweepers | Ninety days | One year | One year | N/A | 2 years Parts + Labor (or 2000 Hours) | 2% |
| IC sweepers | Ninety days | One year | One year | Through manufacturer | 2 years Parts + Labor (or 2000 Hours) | 2% |
| Battery scrubbers | Ninety days | Two years | Three years | N/A | 3 Years Parts + Labor (or 3000 Hours) | 2% |
| Riders | | | | | | |
| Battery scrubbers | Ninety days | Two years | Three years/2000 hrs | N/A | 3 Years Parts + Labor (or 3000 Hours) | 2% |
| IC sweeper/scrubbers | Ninety days | Six months | Two years/2000 hrs | Two years/3000 hrs** | 2 years Parts + Labor (or 2000 Hours) | 3% |
| IC sweepers | Ninety days | Six months | Four years/3000 hrs | Five years/3000 hrs** | 4 Years Parts + 2 Years Labor (or 4000 Hours) | 3% |
| Exceptions | | | | | | |
| Apex series sweeper | Ninety days | One year | One year/1000 hrs | One year/1000 hrs** | 2 years Parts + Labor (or 2000 Hours) | 3% |
| 6X sweeper | Ninety days | Six months | Two years/2000 hrs | Two years/2000 hours** | 2 years Parts + Labor (or 2000 Hours) | 3% |

Tank Bladders Eight years/ no additional labor
Polypropylene plastic tanks Ten years/ no additional labor
Batteries 0-3 months full replacement, 4-12 prorated credit
Chargers One-year replacement
Replacement parts Ninety days

*Two-hour cap

**Through engine manufacturer. See section 3 of warranty manual for engine warranty exceptions

*** Based upon dealer's certification status

Extended Warranty MUST be signed up within 30 days of delivery to End User (Dealer has 1Year from Receiving Machine to Sign up extended Warranty)

Extended Warranty Cost is based on Invoice Price multiplied by the Percentage listed in the Extended Warranty Column

All above labor and travel reimbursed at 65 or 75% of the published shop rate.



“The Power of Clean”

PowerBoss Is A Full Line Manufacturer Of Sweepers and Scrubbers For Industrial Facilities.

PowerBoss, Inc. 175 Anderson Street P.O. Box 1227- Aberdeen North Carolina 28315

Phone: 800-982-7141 - Fax: 1-800-277-7141 Local: 910-944-2105 Fax: 910-944-7409 e-mail: techsupport@powerboss.com

A Member Of The Hako Group